



HENRY BROOKS BATHROOMWARE

Address: 5 SMALES RD EAST TAMAKI AUCKLAND **PHONE:** [+64-9-913 3110](tel:+6499133110) **Email:** sales@henrybrooks.co.nz



CURVED SHOWER ENCLOSURES 1000

\$999.00 - \$1,099.00

Features of Curved Shower Enclosures 1000 Collesium

- Practical, watertight and easy to install
- Full installation instructions
- Pivoting door made from 6mm toughened safety glass. Manufactured and tested to comply with New Zealand safety standards NZ/AS 2208.1996
- Reversible during installation for Left or Right-hand installation
- Magnetic door seal keeps water inside your shower where it belongs
- Aluminum frame with durable Polished Aluminum finish

Shower Liner for the Curved Shower Enclosures 1000 Collesium

- Hygienic one-piece 2mm acrylic wall linings are easy to clean with no corner joins
- Available with optional moulded shower caddy which is reversible for Left or Right-hand wall installation

Shower Tray for the Curved Shower Enclosures 1000 Collesium

- Sturdy high-grade white 3.2mm acrylic tray is rigid and fully self-supported
- 40mm wall upstand allows for a watertight seal between tray and liner
- Tested to drain up to 40 litres per minute yet provide a safe & slip resistant surface

More Product details lower down the page



SKU: Curved Enclosure 900 x 900-1

PRODUCT DESCRIPTION

For Installation guides please go to <https://www.henrybrooks.co.nz/installation-instructions/>
All specifications and dimensions are nominal and are subject to change without notice



HENRY BROOKS BATHROOMWARE

Address: 5 SMALES RD EAST TAMAKI AUCKLAND **PHONE:** [+64-9-913 3110](tel:+6499133110) **Email:** sales@henrybrooks.co.nz

Overall Height

Please Choose which Frame colour you want Curved Shower Enclosures 1000 Collesium

Giving you more space at an affordable price

This Curved Shower Enclosures 1000 Collesium is perfect for that touch of individuality in your bathroom. Ideal for cosy spaces with limited room for swinging doors, therefore our Collesium Showers' corner entry and curved ergonomics will suit almost any bathroom you might imagine.

Features of Curved Shower Enclosures 1000 Collesium

- Gliding safety glass doors comply with New Zealand safety standards NZ/AS 2208.1996 safety glazing standards for shower screens
- Aluminium frame in highly polished Chrome finish
- White powdercoat finish for door (**please contact to confirm availability**)
- Acrylic one-piece wall liner with optional shower caddy mould for soaps and shampoos
- Curved acrylic tray with corner waste and wall upstand for a watertight seal
- Compatible with our easy-clean wastes available separately

This Collesium model is our 4th Generation curved design shower unit.

Improvements in our design have resulted in a stronger, more robust shower - able to take the tests of New Zealand family life.

- Improved double-carriage wheel assembly with upstand eliminates the chance of the door derailing from the track while keeping an easy smooth glide
- Easy cleaning - all plastic construction with no metal bearings to rust or corrode
- Doors and panels made of 6mm toughened safety glass tested to meet New Zealand standards
- Magnetically sealed doors to keep water inside the shower where it belongs
- Secure chrome handles
- Optional shower caddy can be moulded into the acrylic liner for an easy-to-clean storage solution - no need for fixings that may compromise the water-proofing or cleanliness of your shower
- **FreeFlow Shower tray** [read more here](#)

Faster and easier installation and maintenance

- The frame can be installed before any glass panels need to be fitted, resulting in easier and more accurate placement
- Glass is fully compliant with New Zealand Safety Glass standards NZ/AS 2208.1996 for shower screens
- A full product warranty covering parts and back-up service available nationwide through a reputable New Zealand owned company

Our extensive experience in renovating bathrooms (since 2000) means we know exactly what is important in shower cubicle design, construction and installation. Therefore giving you a quality proven product at cost effective prices.

Our products are approved by Housing New Zealand as being robust and sturdy, also surviving a 200 KG weight being dropped 5000 times onto the shower tray without any structural damage at all.



HENRY BROOKS BATHROOMWARE

Address: 5 SMALES RD EAST TAMAKI AUCKLAND **PHONE:** [+64-9-913 3110](tel:+6499133110) **Email:** sales@henrybrooks.co.nz

A full installation/renovation service is also available in the Auckland / Wellington / Christchurch areas through Bathroom Direct renovations, and installation in other select areas. Contact Us for more information.

Optional Easy Clean Waste [Easy Clean Waste details here](#)

A Bathroom Direct Easy clean waste with Chrome lid is available for use with any of our Showers. Essential for installations onto concrete floors. More information is available in our Showers Category.

[Freeflow Shower Tray 40mm Upstand Detail](#)

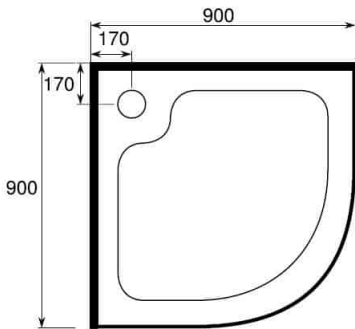
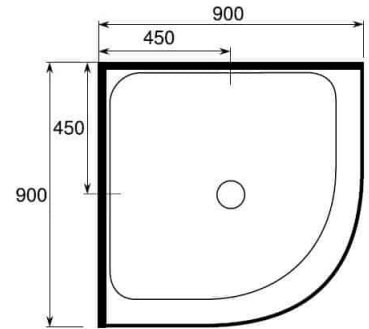
Installation Instructions link for the Curved Shower Enclosures 1000 Collesium is at bottom of this page



HENRY BROOKS BATHROOMWARE

Address: 5 SMALES RD EAST TAMAKI AUCKLAND **PHONE:** [+64-9-913 3110](tel:+6499133110) **Email:** sales@henrybrooks.co.nz

GALLERY IMAGES





HENRY BROOKS BATHROOMWARE

Address: 5 SMALES RD EAST TAMAKI AUCKLAND **PHONE:** [+64-9-913 3110](tel:+6499133110) **Email:** sales@henrybrooks.co.nz





VARIATIONS

Image	SKU	Price	Description	Tray Size	Waste Position	Liner
	1950mm SDCR10C+STCC1010+F	\$1,370.00 <u>\$999.00</u>	Door Height 1950mm Overall height with tray 2000mm	1000mm	Centre	Flat Liner
	1950mm SDCR10C+STCC1010+M	\$1,470.00 <u>\$1,099.00</u>	Door Height 1950mm Overall height with tray 2000mm	1000mm	Centre	Moulded Liner



HENRY BROOKS BATHROOMWARE

Address: 5 SMALES RD EAST TAMAKI AUCKLAND **PHONE:** [+64-9-913 3110](tel:+6499133110) **Email:** sales@henrybrooks.co.nz

Image	SKU	Price	Description	Tray Size	Waste Position	Liner
	1950mm SDCR10C+STCR1010+F	\$1,370.00 <u>\$999.00</u>	Door Height 1950mm Overall height with tray 2000mm	1000mm	Rear Corner	Flat Liner
	1950mm SDCR10C+STCR1010+M	\$1,470.00 <u>\$1,099.00</u>	Door Height 1950mm Overall height with tray 2000mm	1000mm	Rear Corner	Moulded Liner
	1950mm SDCR10C+SBR100+F	\$1,370.00 <u>\$999.00</u>	Door Height 1950mm Overall height with tray 2020mm	1000mm	Rear Corner Textured	Flat Liner
	1950mm SDCR10C+SBR100+M	\$1,470.00 <u>\$1,099.00</u>	Door Height 1950mm Overall height with tray 2020mm	1000mm	Rear Corner Textured	Moulded Liner

Installation guides please go to <https://www.henrybrooks.co.nz/installation-instructions/>
 specifications and dimensions are nominal and are subject to change without notice