

Congratulations on your purchase of your [Henry Brooks & Co Ltd](http://www.henrybrooks.co.nz) Vanity.



The following is a guide only on dimensions and installation notes for this wall hung vanity.

We recommend extra timbers be fitted to timber walls to support the weight of these vanities.

***Please note:** All measurements are nominal and are made from the finished height of the vanity, including vanity top. Finished height of the vanity should be determined to suit client requirements.

For reference, std industry height is 850mm.

Use the supplied wall plugs, and screws, if fitting to concrete or solid walls.

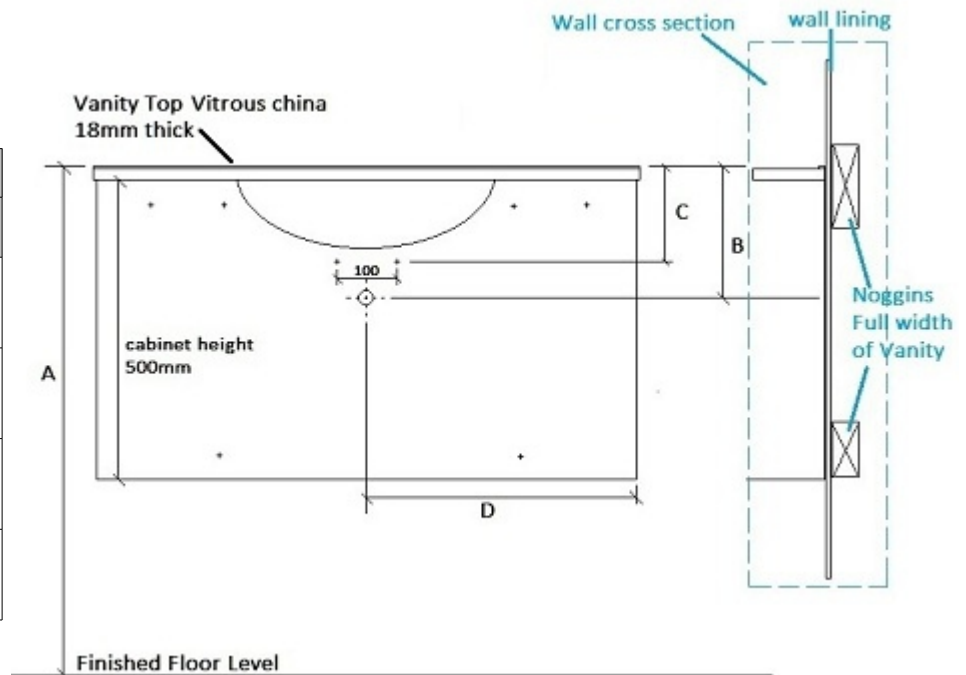
Use the supplied screws only for timber walls.

Do not rely on hollow wall anchors for fixing of this vanity to hollow Gib walls.

Strata Duo: 600, 750, 900mm and **Strata Quad:** 1200mm
Vanity and plumbing positions with Vitreous China Vanity top
+ Recommended mounting positions using screws included

A – Finished vanity height from finished floor level.

Vanity model	Measurements mm		
	B	C	D
600	256	196	292
750	256	196	367
900	256	196	442
1200	256	196	592

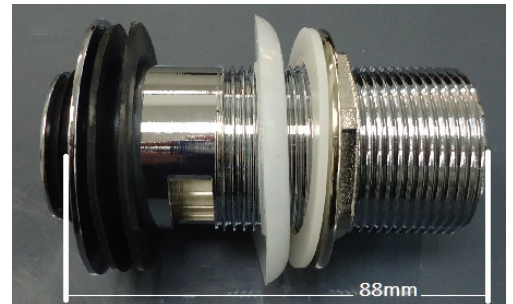


Recommended



Recommended 'P' trap for Duo and Quad vanities

The recommended waste - 32mm dia popup with overflow - 88mm long



All dimensions are in millimetres.

Henry Brooks Ltd has the right to change product and specifications without notice.

www.henrybrooks.co.nz

To remove the drawers you will need to remove the cover on each side of the drawer to uncover these controls.

Lift the lever (circled) on both sides of the drawer as in the image below, then with the drawer half open pulling outwards and upwards with a gentle jerk you will separate the drawers from the runners.



To reinsert the drawers push the tracks as far back as they will go, then place the drawer on the tracks and push back till the drawer is fully closed this will reconnect the drawer and track for the soft close to work.



www.henrybrooks.co.nz