

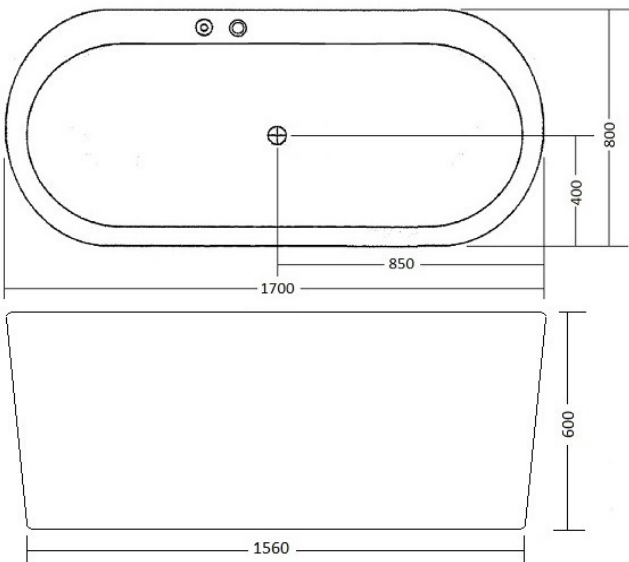


Freestanding Spa Bath Guide

For all Bathroom Direct Freestanding Spa Bath installations. Specifically the **Jacqueline**, **Jacinda** and **BTW Rosemary** Spa baths, but also covers the corner Spa Baths the **Michelle** & **Christine**.

The popup waste supplied with the bath is loosely fitted. If you intend to use the supplied waste, we recommend your plumber removes and completely seals and installs it.

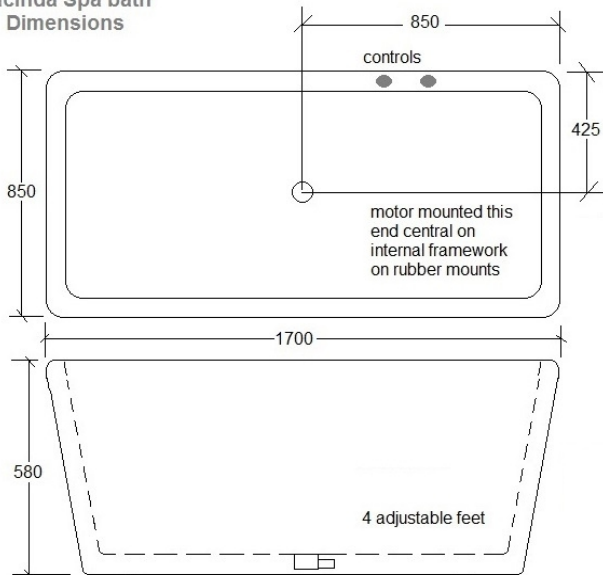
Jacqueline Spa Bath



Jacqueline Spa Bath



Jacinda Spa bath Dimensions



Jacinda Spa Bath



Corner Spa Baths

Michelle Spa bath



All these Spa Baths come complete with Frame, adjustable feet and a 3 pin plug (the 3pin plug may in some cases need to be removed and replaced because of your installation requirements).

Electrically, these need to be installed to the NZ electrical regulations. We recommend the installation of an Isolating switch and for the for the Jacqueline and Jacinda cable going through/under the floor, not across the floor.

NOTE: There is an air tube running from the button to the motor. Please confirm this is connected before final installation. (with power off can you hear the air switch turning on and off)

Christine Spa bath



Recommended Waste installation for Jacqueline, Rosemary, Michelle and Christine Spa baths:



This waste replaces the std bath waste and gives you a waste and trap that is all in one and is the easiest way to fit a trap to your freestanding bath enabling the installation to meet plumbing regulations..

The Installation is very simple, replace the std bath waste with this unit, and seal in your usual manner.

Attach the flexible pipe (included with bath) to the trap and fit to your waste pipe coming through the floor with an elbow.

These spa baths waste can be bought from our [website here](#)

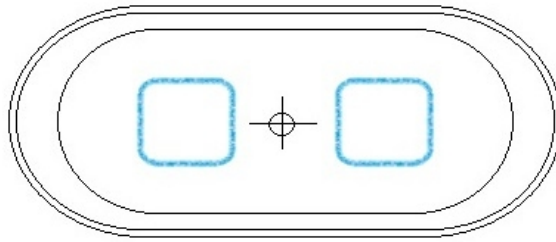
Floor Waste installation, Jacinda:

Install a suitable floor waste to suit your installation needs.

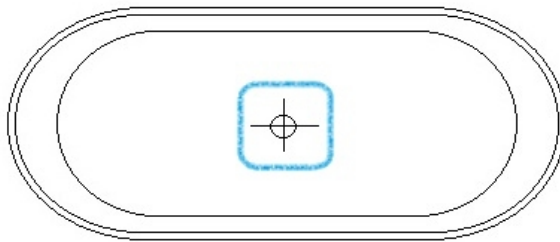
Recommended floor waste [Smart floor waste for concrete or wooden floors](#)

Using this floor waste enables you some leeway in the positioning of the waste as the top of the is 250mm dia. We recommend this type of waste as it makes the installation easier and separates and seals your bathroom from the space under your house stopping insects etc from getting in as would happen if you fit a std waste after the bath is installed.

The recommended position of the floor waste is to either side of the bath waste, this enables you to place the floor waste where it suits best allowing for floor joists etc. Install the floor waste in either of the 2 blue marked areas below. Most of our baths come with a good quality flexible waste (some at present don't) in some cases you may need to source a flexible pipe from a plumbing merchant.



In some installations you may find that best position for the floor waste is in center under the bath waste position, (as image below) This enables you, once a floor waste is fitted and with the addition of a dropper from the bath waste to just lower the bath into position.



Installation Instructions:

Once the flooring is finished you are then able to fit the Bath.

Place Bath on floor in the desired position and adjust the leveling feet so the bath is level.

Now fit and seal the flexible pipe to the bath and push the other end into the rubber on the top of the trap and push the bath into place.

Then finish off around the bath as you require.

Congratulations all is now finished.

Please note: That as with all Spa baths it is recommended that you do not use the Spa without covering all jets with a minimum of 100mm of water

Cleaning your Bath:

Please clean your **Freestanding Spa Bath** with a soft cloth and warm water. A spray on window cleaner and soft cloth can be used to remove light marks. Heavier marks can be removed with liquid jiff and a soft cloth, followed by a spray on window cleaner and soft cloth.

Under no circumstances should any form of abrasive cleaners be used.

TO THE OWNER:

Please retain these instructions for future reference

If you have any questions regarding installation or maintenance of any of our products, please contact

Bathroom Direct NZ

Ph: 0508 736 6828

sales@henrybrooks.co.nz

henrybrooks.co.nz

