

WWW.HENRYBROOKS.CO.NZ

King
TANKLESS®



Luxury Collection

THRONE
Toilet Systems

King

TANKLESS®

Luxury

Auto Open/close lid and seat & night light

Auto Open/close lid and seat with the Combined features of the Auto Flush, Warm seat and Bidet, there is no substitute for modern luxury, that captures innovative and creative thoughts in developing an upgraded culture living around the bathroom



www.bathroomdirect.co.nz

W
Level 1
20094/2



Night Light

The LED light is designed to light up the bowl making it easier to use at night. Auto/Off with the remote.



1 Pocket 3 Way Nozzle (Stainless)

Posterior wash: The pressure is adjustable for comfort.
Feminine wash: Cleanses and freshens.
Enema wash: Sends off a stream of clean water to help pass a motion



Available In

- Ceramic Porcelain
 - Acrylic (Commercial Grade)



Automatic open/close of toilet seat and lid

When you stand in front of the toilet, the lid automatically opens and when you move away from the toilet, the lid automatically closes



Hi-tech wireless remote

All Bidet functions are available by remote control and the light displays the current operation.



Auto flushing

A small flush of 3L will be used if the seat is occupied for less than 25 seconds. A full flush of about 4.5L will be used when the seat is occupied for over 25 seconds. Dual auto flush is available by seat sensor after the user stands up.



Seat sensor

The seat sensor detects when you sit down on the seat to activate functions and allows the toilet to flush when you leave.



Soft Close

The seat and lid close down softly.



Heated seat

The seat temperature is adjustable. An ergonomic elongated seat for comfort.



S-Trap / P-Trap Compatible

No noise on interlayers. Cost effective against In-wall-hung toilet systems and much easier to perform maintenance.



Super water saving toilet

The system features perfect flushing even with low water pressure (1.5kgs/cm². 20L/min) with a considerable water saving of 3L for a half flush and 4.5L for a full flush. (Min 150 kPa - Max 750 kPa, with 20L per minute water flow required)



Warm Air Dryer

Air temperature is adjustable to your preference.

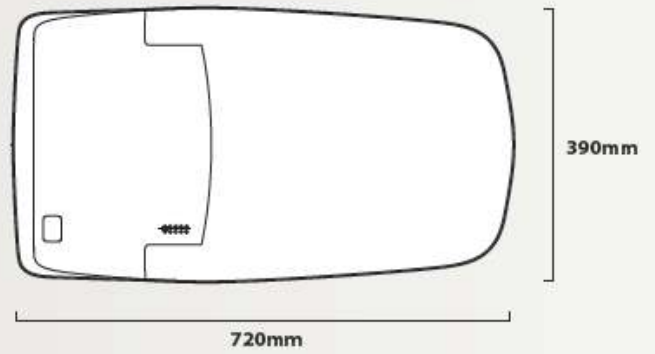
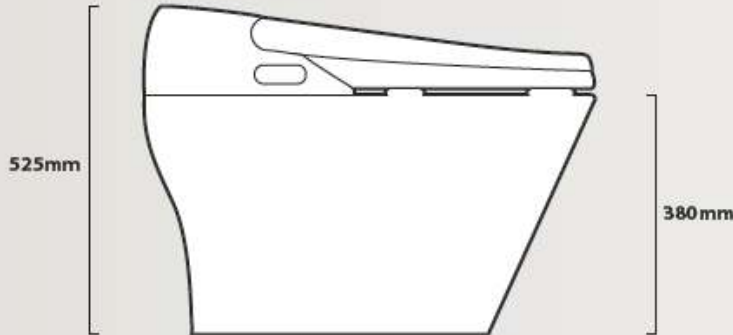


Siphon water jet, Tornado flushing

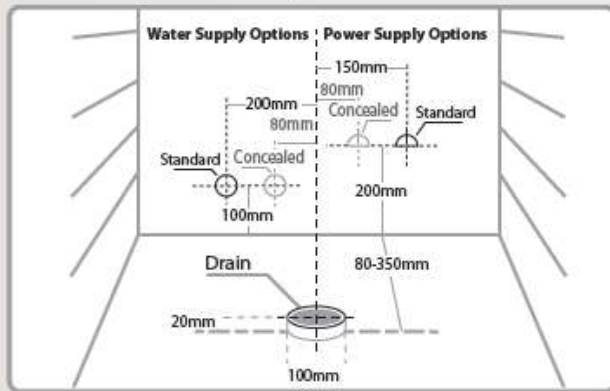
Waste is flushed by the use of high pressure jet nozzles, known as Tornado flushing. This system, while extremely efficient uses only a small amount of water with its Siphon water jet technology.

King

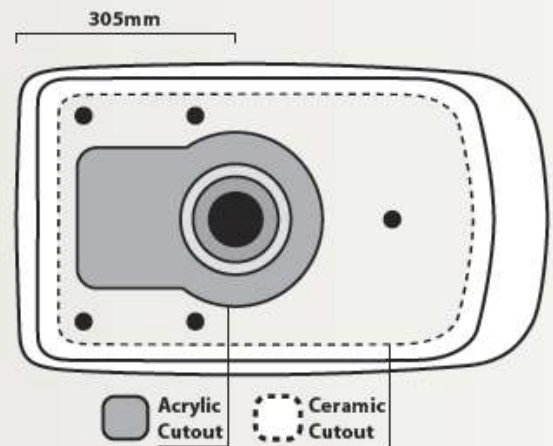
TANKLESS®



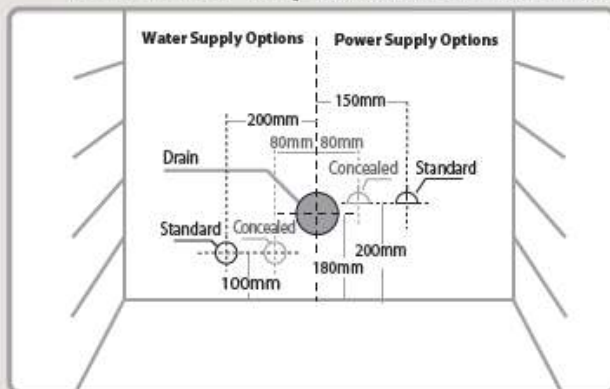
Floor drain S-Trap (Standard services / Concealed services)



200mm-350mm - Standard set out / 80-200mm - Modified set out (Acrylic)
Queen Installation S-Trap ONLY

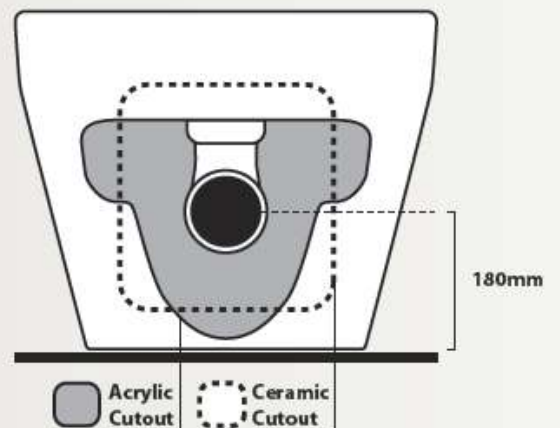


Wall drain P-Trap (Standard services / Concealed services)



180mm - Standard Set out

Ceramic or Acrylic



Water Pressure

Minimum 150kpa. Maximum 750kpa with 20L per minute minimum flow

Electrical

Standard 10amp power point required

Installation

To be carried out by a licensed plumber. Installation as per local region, council plumbing specifications and plumbing codes additional back flow device may be a requirement