

[www.henrybrooks.co.nz](http://www.henrybrooks.co.nz)

*Prince*

TANKLESS®



*Luxury Collection*

**THRONE**  
Toilet Systems

# Prince

TANKLESS®

## Intelligence

*Integrating the Knights' Auto flush Tank-less Design with a touch of intelligence to create a toileting experience that includes a built in Bidet function to give you a clean and dry feel like no other*



[www.bathroomdirect.co.nz](http://www.bathroomdirect.co.nz)



## Night Light

The LED light is designed to light up the bowl making it easier to use at night. Auto/Off with the remote.



## 1 Pocket 3 Way Nozzle (Stainless)

**Posterior wash:** The pressure is adjustable for comfort.  
**Feminine wash:** Cleanses and freshens.  
**Enema wash:** Sends off a stream of clean water to help pass a motion



## Available In

- Ceramic Porcelain
- Acrylic (Commercial Grade)



## Hi-tech wireless remote

All Bidet functions are available by remote control and the light displays the current operation.



## Auto flushing

A small flush of 3L will be used if the seat is occupied for less than 25 seconds. A full flush of about 4.5L will be used when the seat is occupied for over 25 seconds. Dual auto flush is available by seat sensor after the user stands up.



## Seat sensor

The seat sensor detects when you sit down on the seat to activate functions and allows the toilet to flush when you leave.



## Soft Close

The seat and lid close down softly.



## Heated seat

The seat temperature is adjustable. An ergonomic elongated seat for comfort.



## S-Trap / P-Trap Compatible

No noise on interlayers. Cost effective against In-wall-hung toilet systems and much easier to perform maintenance.



## Super water saving toilet

The system features perfect flushing even with low water pressure (1.5kgs/cm<sup>2</sup>. 20L/min) with a considerable water saving of 3L for a half flush and 4.5L for a full flush. (Min 150 kPa - Max 750 kPa, with 20L per minute water flow required)



## Warm Air Dryer

Air temperature is adjustable to your preference.

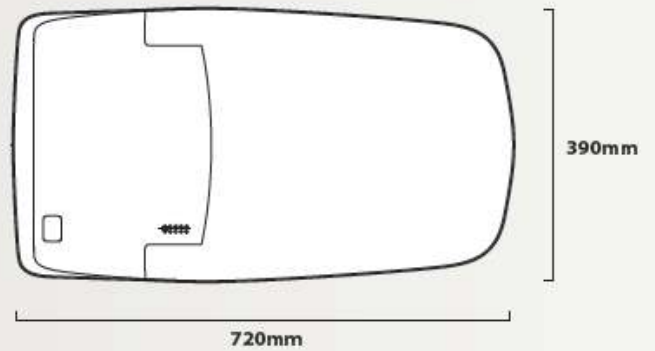
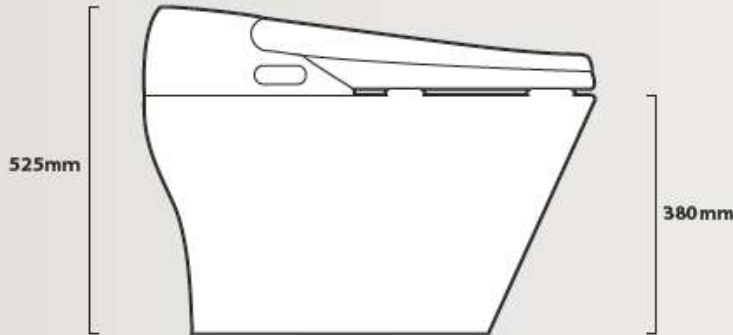


## Siphon water jet, Tornado flushing

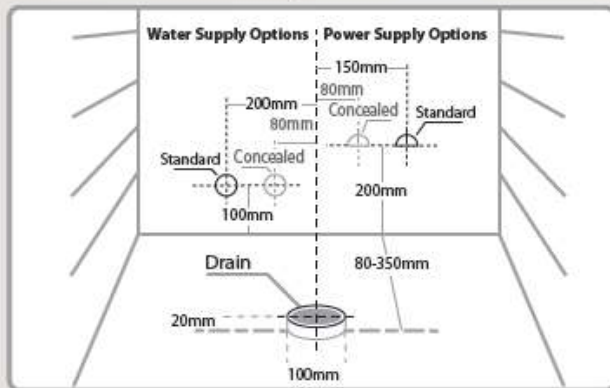
Waste is flushed by the use of high pressure jet nozzles, known as Tornado flushing. This system, while extremely efficient uses only a small amount of water with its Siphon water jet technology.

# Prince

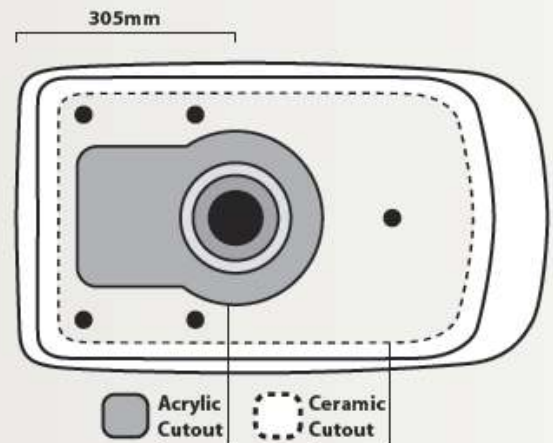
TANKLESS®



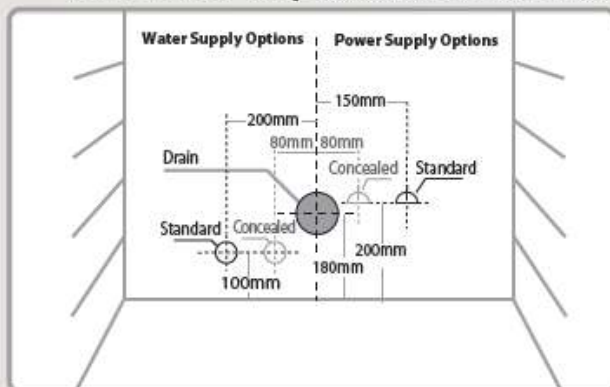
## Floor drain S-Trap (Standard services / Concealed services)



200mm-350mm - Standard set out / 80-200mm - Modified set out (Acrylic)  
Queen Installation S-Trap ONLY

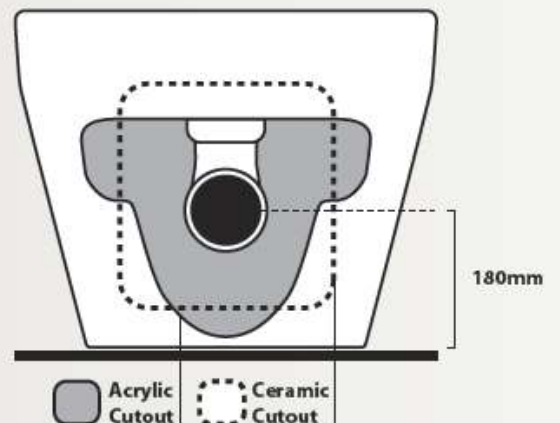


## Wall drain P-Trap (Standard services / Concealed services)



180mm - Standard Set out

## Ceramic or Acrylic



### Water Pressure

Minimum 150kpa. Maximum 750kpa with 20L per minute minimum flow

### Electrical

Standard 10amp power point required

### Installation

To be carried out by a licensed plumber. Installation as per local region, council plumbing specifications and plumbing codes additional back flow device may be a requirement