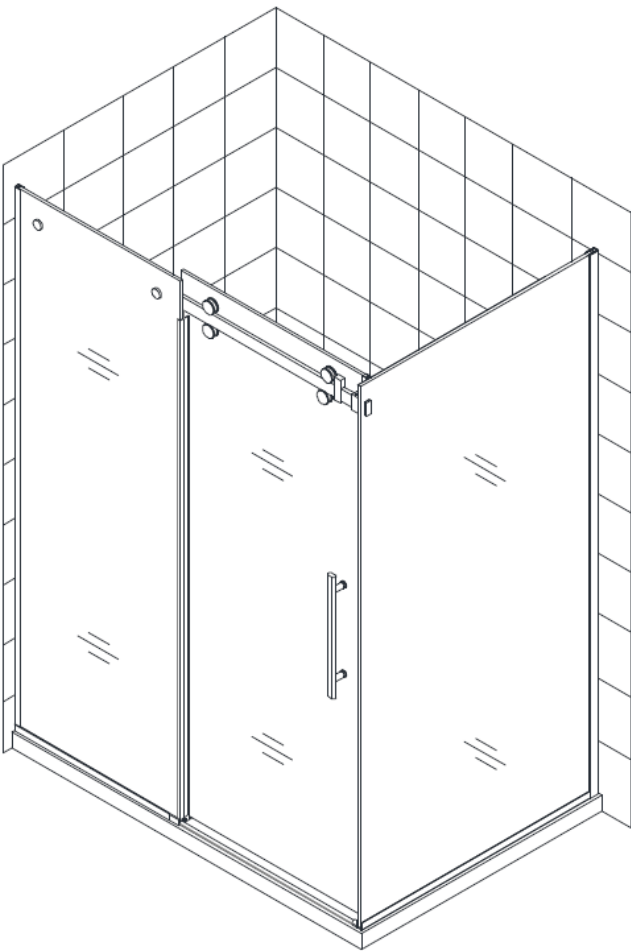




Urban Shower and Bath door instructions

Installation Guide (Rectangle Rail)



Thank you for your order



Ph: 09-9133110 Fax: 09-9133113
5 Smales Road. East Tamaki
Auckland

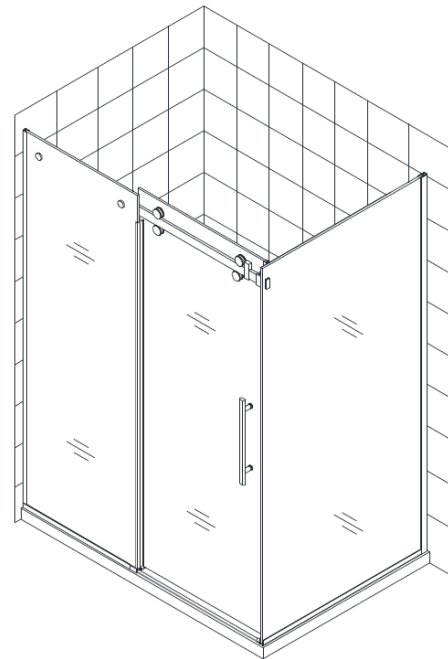
AUCKLAND // WELLINGTON

www.henrybrooks.co.nz

Urban Shower Door

Preparation

1. After opening all boxes and packages, read this introduction carefully. Check that all of the needed parts are included in the package, by marking all the components on the detailed diagram of the shower enclosure. Examine for any shipping damage. If the unit has been damaged, or has a manufacturing fault, or has missing parts, please contact our customer service department within five days of the delivery date.
2. You must have all the correct plumbing and drainage components installed before you start to install the shower doors.
3. Please ensure prior to installation, that the installation surface is true and level, and robust enough to support the total weight of the shower unit. Also make sure the walls are true and plumb.
4. This door can be fitted to
 - A. Dreamline acrylic shower tray
 - B. Tiled shower threshold / plinth which requires a minimum width of 90mm of installation space.
 - C. Flat floor
5. This unit must be installed against completely finished floor and walls.



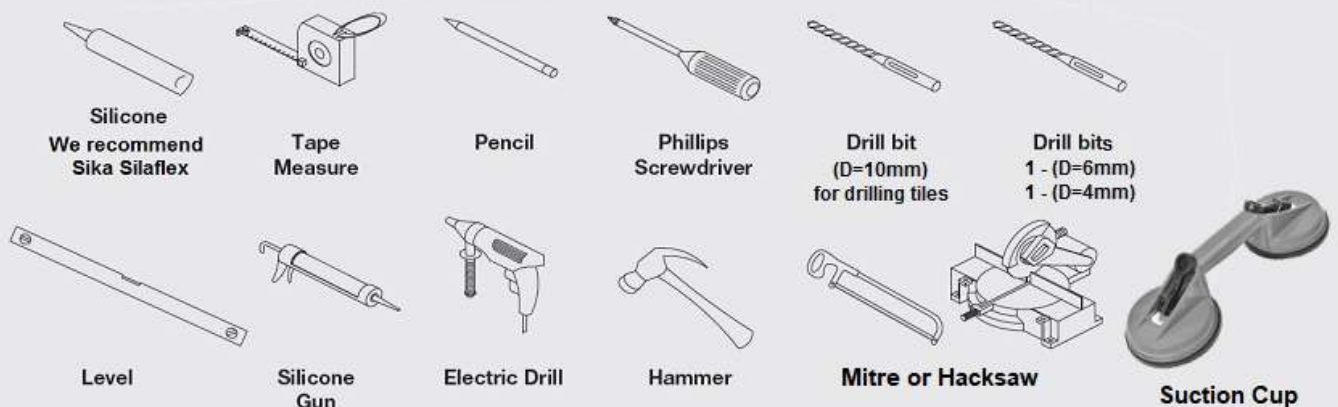
NOTE: Some adjustments and drilling might be necessary during the installation process.

NOTE: We strongly recommend installing the door guide rail bracket to the studs or preferably pre-install 90x45mm or 140x45mm wood behind the linings to take the brackets rather than using wall anchors.

We recommend placing a drop cloth or protective cardboard into the base of the tiled shower or acrylic shower tray to prevent damage caused by footwear or dropped tools.

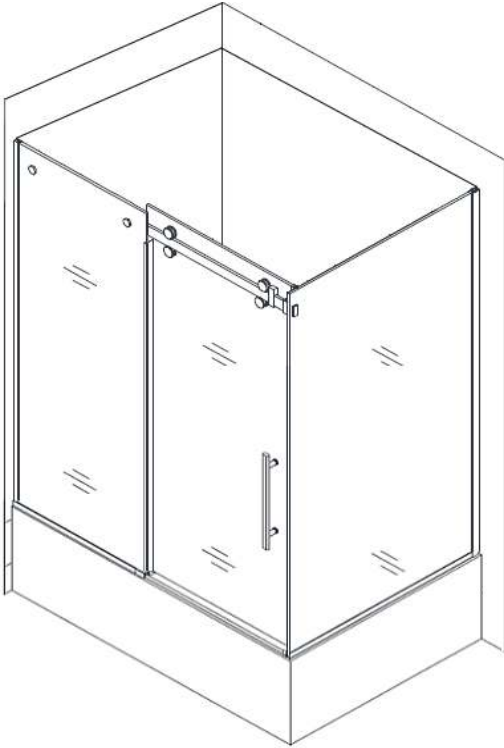
**The order of installation described in the following pages is important.
Please follow these instructions carefully**

Tools Required

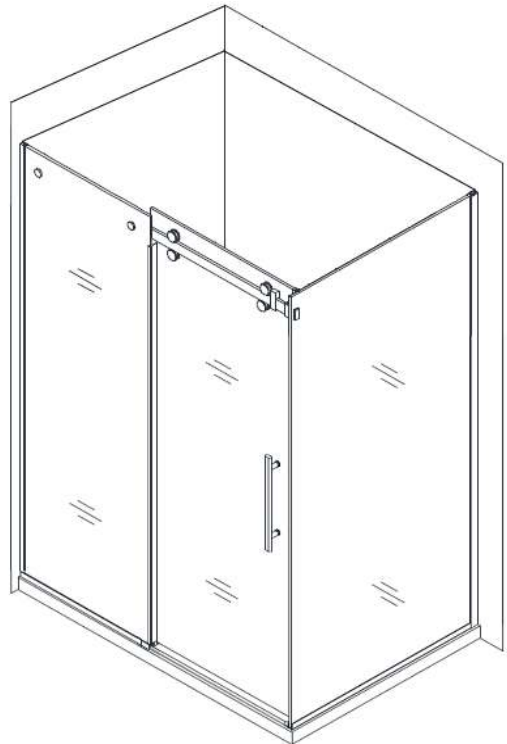


Instructions cover these models

These instructions are suitable for either a bath door or shower door installation. The parts are the same only the glass height is different.



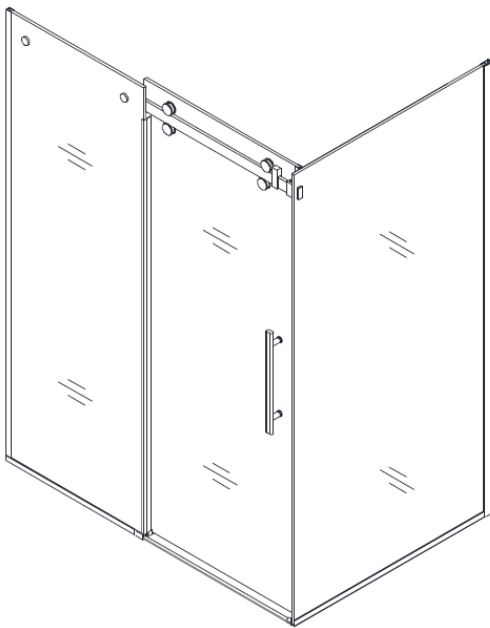
Bath Installation



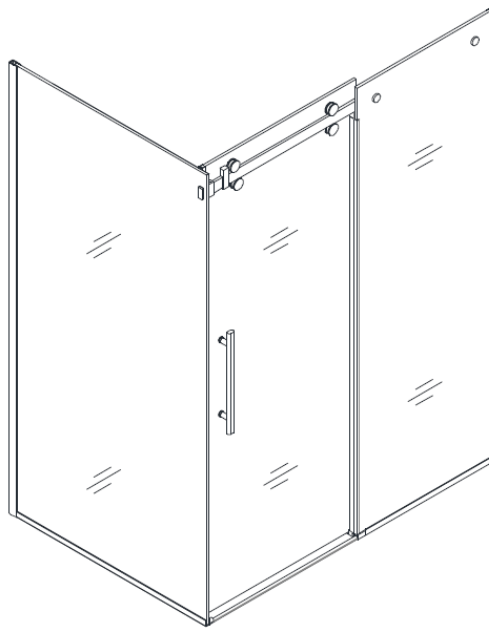
Shower installation

Our product may have changes without prior notice

The Urban Door is the same for both a 2 sided and 3 sided showers



Left Hand Installation



Right Hand Installation

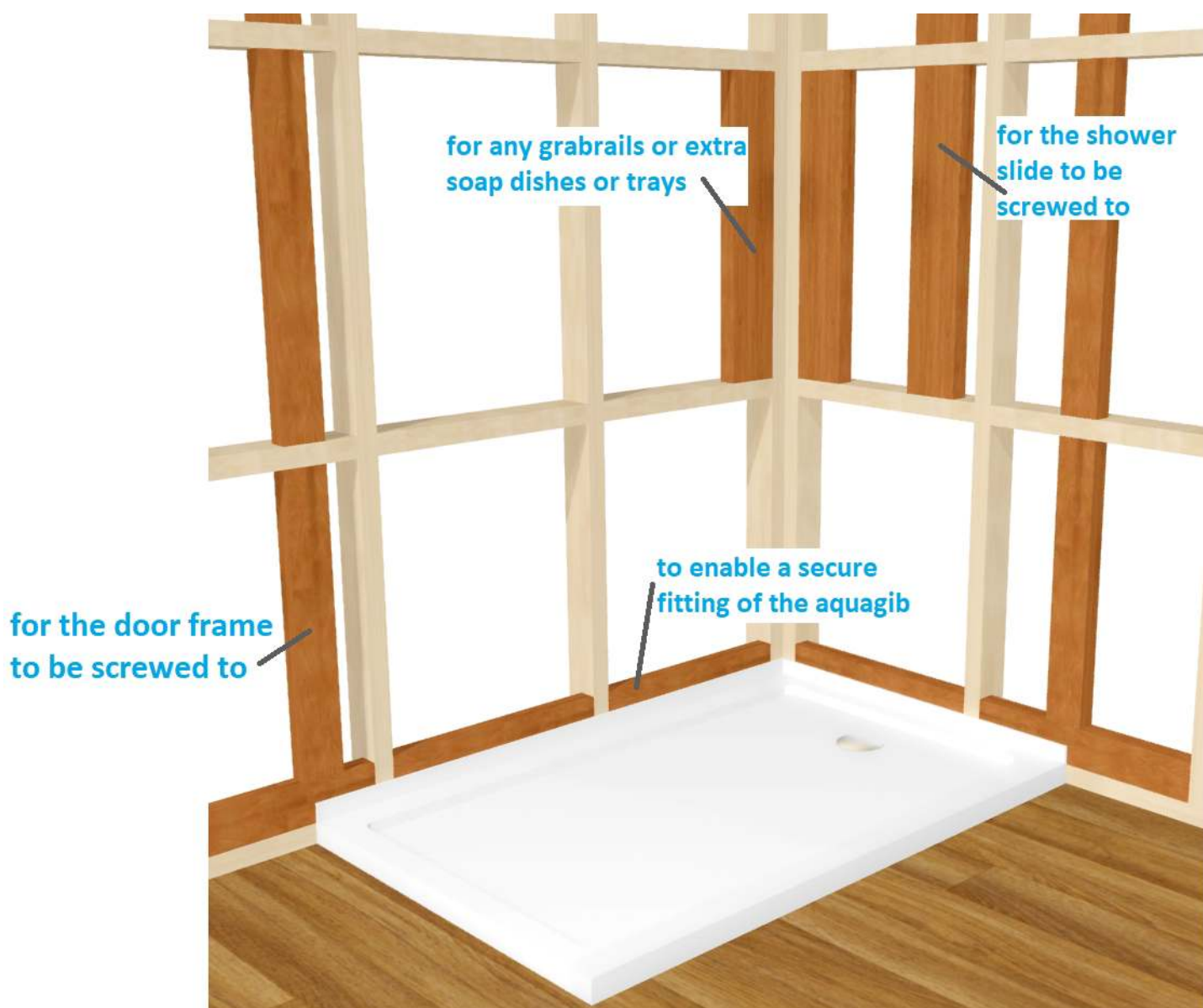
NOTE: This door is reversible for right or left-hand door installation. The right-hand door installation is shown as an example throughout this manual. For the left-hand door installation, simply begin on the opposite wall and reverse the orientation of the steps shown.

Recommended Wall Framework

To ensure a stable shower door installation we recommend installing extra framework where your shower door contacts the wall as shown in the image below.

With the shower tray in place determine the position of any extra framing.
See separate tray and liner instructions, go to link below
<https://www.bathroomdirect.co.nz/installation-instructions/>

In this case the Std framing is light in colour the extra recommended framing is in the darker colour.



For further info on Shower tray preparation and install
Click on (or copy and paste into a browser)
<https://www.youtube.com/watch?v=K38V9-wUvHg>

Recommendations before you start

You should consult your local building codes on questions on installation compliance standards. Building and plumbing codes vary by location, and our local dealers or distributors are not responsible for code compliance standards for your project.

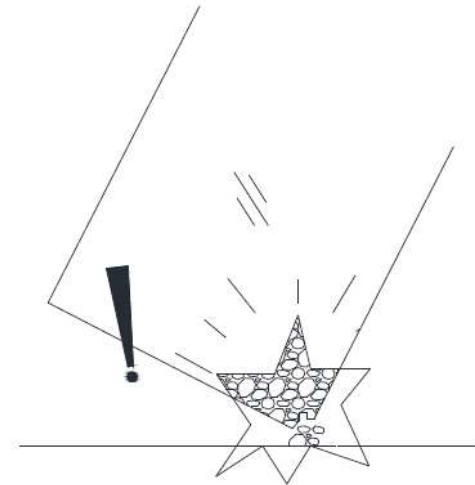
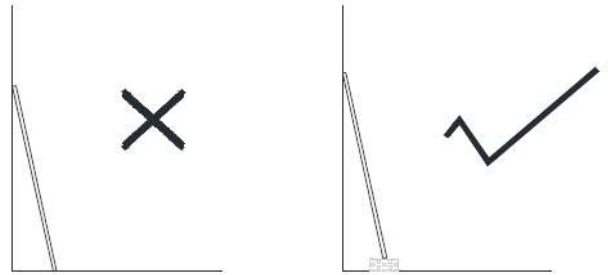
Supplied Wall anchors are for use on concrete walls and are NOT required for standard timber stud construction installations where appropriate wood has been fitted.

Please Note

The glass panels are tempered Safety Glass.

When leaning them against a wall always protect the bottom edges and do not knock a corner against a hard surface as the glass panel is likely to shatter.

Caution!



These instructions assume that your plumbing, shower tray and wall linings are already installed level, plumb and square.

Note: Please check to confirm which version you have (Mk1 or MK2) by checking the following components lists then continue with the appropriate sections in instructions.

Door Installation Order

- 1st Install the Return Panel (if required)
- 2nd Install the Fixed Glass Panel of the Door Set
- 3rd Fit the Sliding door Set

Bath Enclosure Components - V1

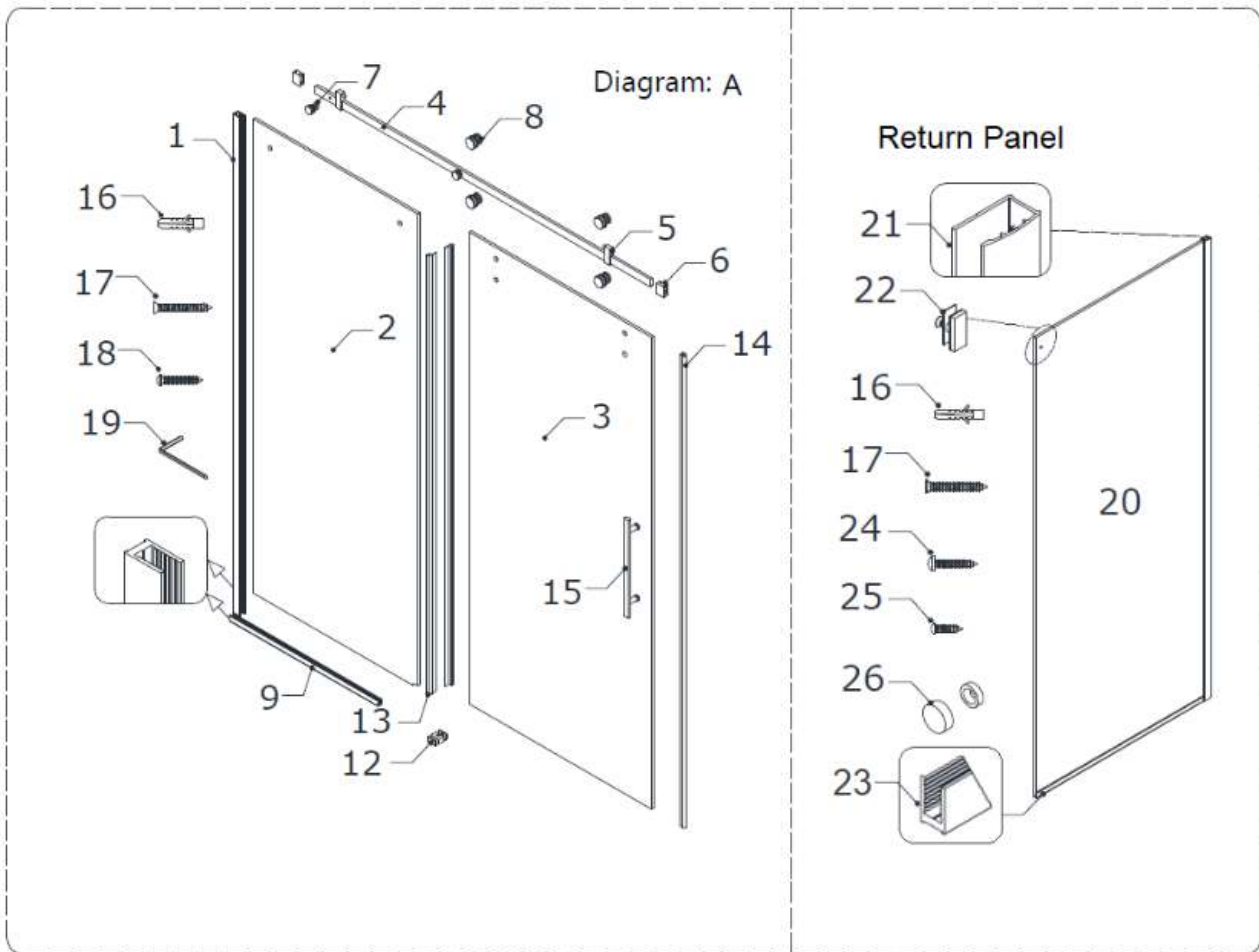


Diagram: A

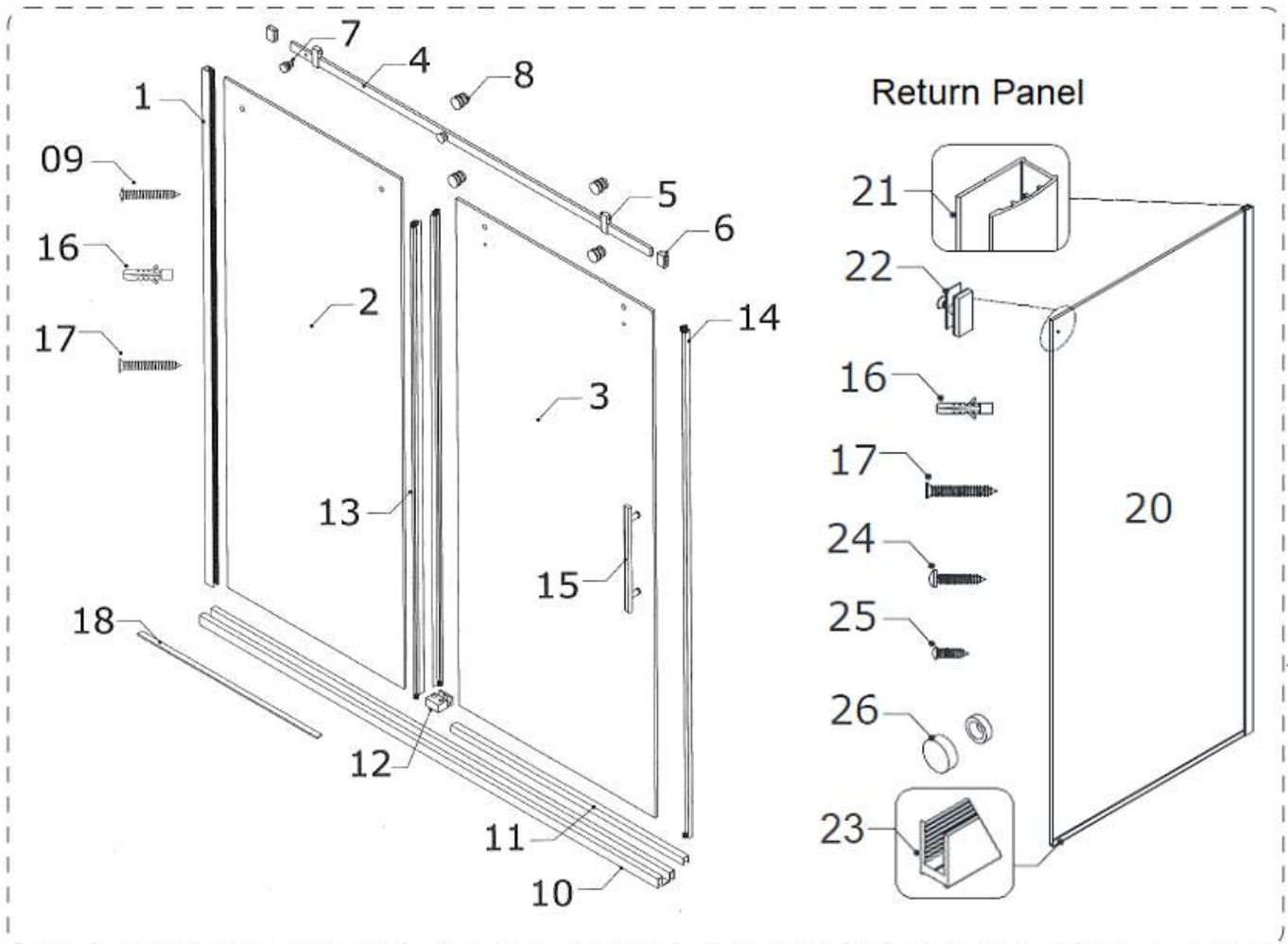
01	U-channel	1 pc	12	Guide Block	1 pc
02	Stationary Glass	1 pc	13	Anti-water side Strip	2 pcs
03	Door Glass	1 pc	14	Bumper strip	1 pc
04	Guide Rail	1 pc	15	Handle	1 pc
05	Stopper	2 pcs	16	Plastic wall anchor	10pc
06	Guide Rail Bracket	2 pcs	17	Countersunk screw ST4.2 x 40	9 pc
07	Glass Bracket	2 pcs	18	Round head screw ST4.2 x 25	1 pc
08	Roller	4 pcs	19	Allen Key 4mm	1 pc
09	U- channel	1 pc			

Diagram: B

16	Plastic wall anchor	3 pc	23	Bottom U-channel	1 pc
17	Countersunk screw ST4.2x40	3 pcs	24	Big head screw ST4.2x40	4 pcs
20	Return Panel Glass	1 pc	25	Round head screw ST4.2x10	4 pcs
21	Wall profile	1 pc	26	Decorative caps	4 pcs
22	Stationary Glass Connector	1 pc			

After you have checked that all components are there, you will be ready to start the installation of your shower door. Items 16 to 26 in digram B are only included when return panel ordered

Shower Enclosure Components - V 2



Door Parts

1	U-channel	1pcs	10	Threshold	1pc
2	Stationary glass	1pc	11	Threshold cover	1pc
3	Door Glass	1pc	12	Guide block	1pc
4	Guide Rail	1pcs	13	water seal strip - vertical	2pc
5	Stopper	2pcs	14	Bumper strip	1pcs
6	Guide Rail Bracket	2pcs	15	Handle	1pcs
7	Glass bracket	2pcs	16	Wall anchor 8mm	10pc
8	Roller	4pcs	17	Countersunk screw ST4.2x35	10pc
9	Pan head screw	1pc	18	1mm Bottom Gasket	1pcs

Return Panel Parts

20	Glass Return Panel	1pc	24	Big head screw ST4.2x40	4pcs
21	Wall U-channel - aluminium	1pc	25	Round head screw ST4.2x10	4pcs
22	Stationary Glass Connector	1pc	26	Decorative caps	4pcs
23	Bottom U-channel	1pc			

NOTE: Unpack your unit carefully and inspect it. Lay it out and identify all parts using the detailed diagram and packing list in your manual as a reference. Before discarding the carton, check for small hardware bags that tend to fall to the bottom of the box. If any parts are damaged or missing, please contact Bathroom Direct for replacements.

Items 20 to 26 are only included when return panel ordered

Please Note If you are installing the door to an Alcove (3 walled) shower you can ignore the instructions for the return panel.
Go to **Step 7** to start.

NOTES:

Ensure all extrusions are plumb and parallel to the edges of the shower tray and liner.

Silicone must be applied to the back of each of these extrusions before fixing to shower liner.

Recommended installation order

1. Mark 10mm in from the edge of the tray as shown and extend your pencil line vertically onto the wall lining.

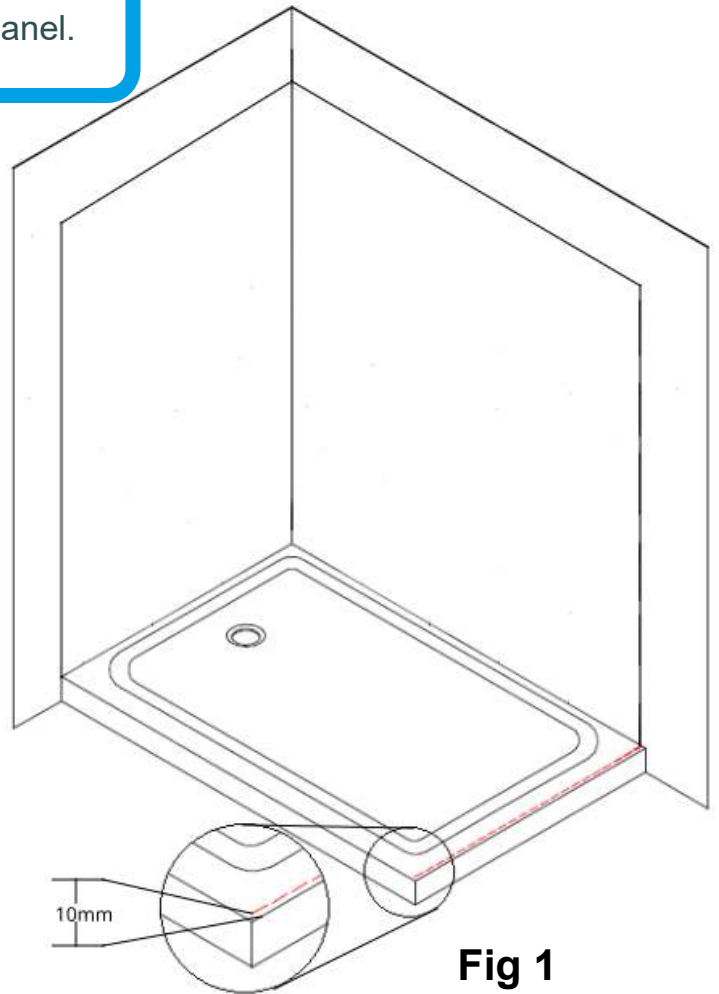


Fig 1

2. Place the **Wall profile (21)** to the wall above the shower base or tub and level it vertically. Align the edge of the **Wall profile (21)** to the inside of the pencil mark on the wall lining.

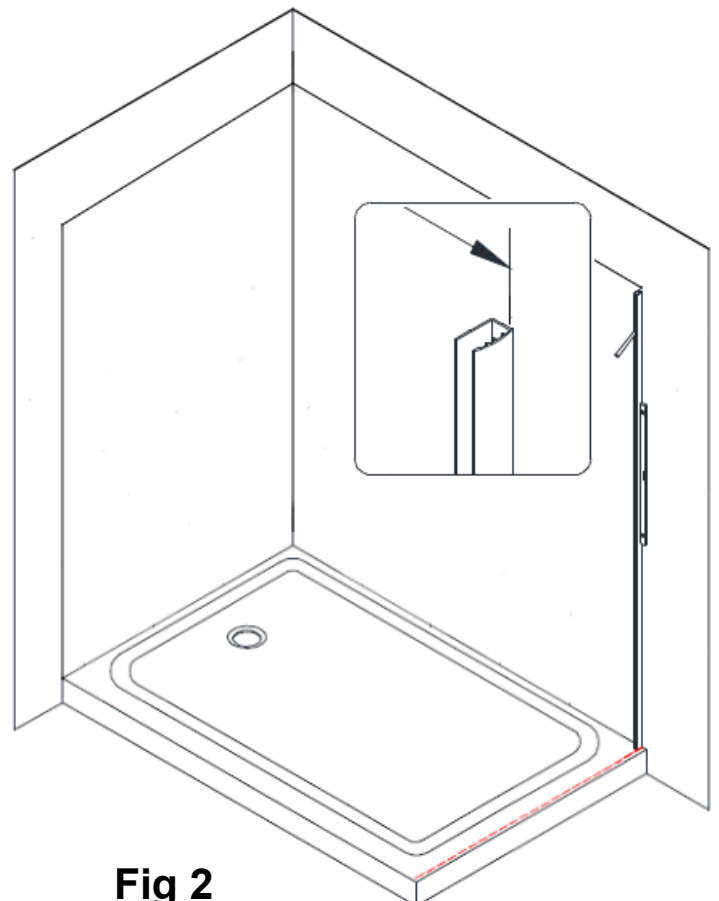


Fig 2

Fig 6

3. Mark the holes on the wall through the holes in the **Wall profile (21)**.
Place the **Wall profile** aside, drill the holes using 3mm drill bit.
Apply silicone along the wall profile and around the holes on the wall.
Place the **Wall profile (21)** back into the designated position and secure it to the wall using 4 of the **Big head screws ST4.2×40 (17)**. *

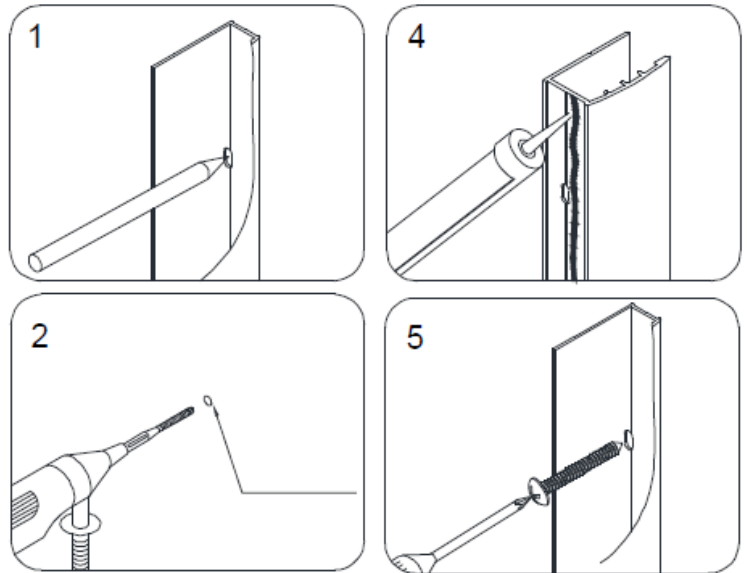


Fig 3

4. Place the bottom **U-Channel (23)** onto the tray, align the edge to the inside of the marked line, and mark the drill holes on the tray through the holes in the bottom **U-Channel (23)**. *

Remove the **U-Channel (23)** from the tray and drill the anchor holes using a **Ø3mm** drill bit.

Add a bead of silicone to the back of the **U-Channel (23)** and attach it to the tray using four of the **ST4.2 x 40 Countersunk screws (17)**.

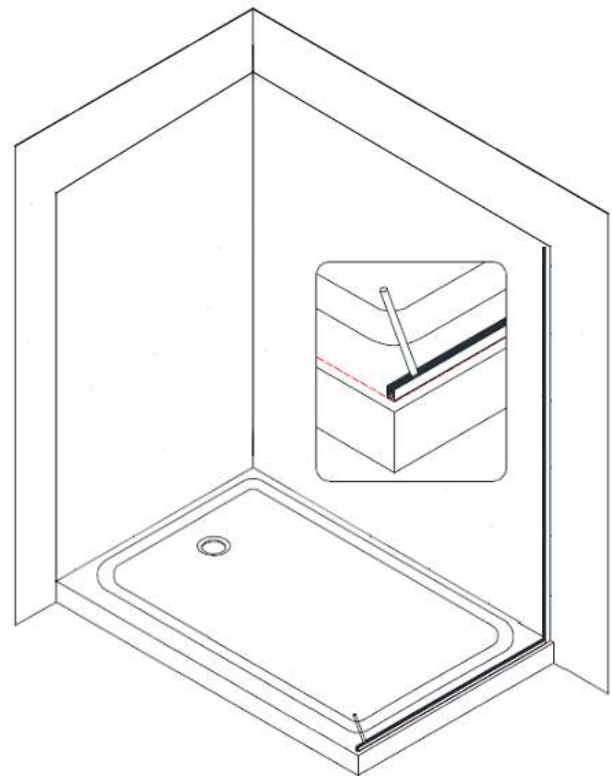


Fig 4

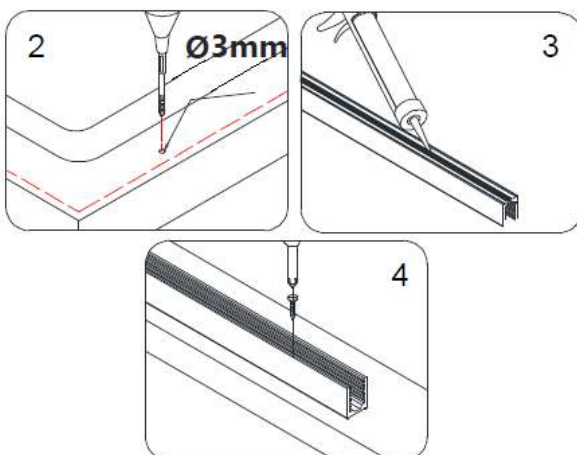


Fig 5



These instructions show drilling through the shower tray. However our **preferred method** is to silicone them in place (rather than drill holes into the shower base) as it will reduce any likely hood of Leaks. This will take longer to install as you need to let the silicone cure before you continue.
If you choose to use silicone continue till you complete **step 10** then let silicone set for 24 hours.

5. Apply a generous amount of clear translucent silicone into the profiles (21) and (23) then slide the **Return panel glass (20)** into the groove of the **Wall profile (21)** and bottom **U-Channel (23)**.

Silicone will ooze out of the 'U'profiles. This can be cleaned up with mineral turpentine while it is still wet or cut off with a razor blade when dry

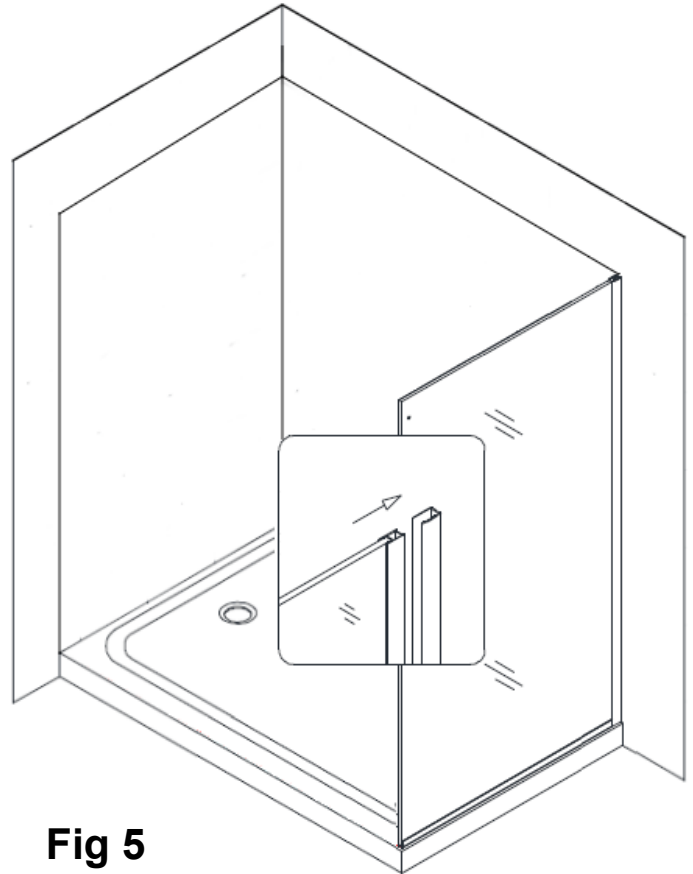


Fig 5

6. Attach the **Stationary Glass Connector (#22)** to the top of the **Return Panel Glass (#20)**.

see **Fig 7** for details

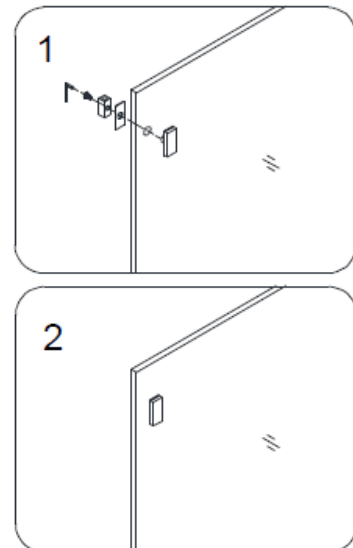


Fig 7

Installing Door - 1st steps

Installing Threshold - V1

7. Align the edge of the U-Channel (9) so that the threshold edge is Inline with the front of the earlier installed return panel or 6mm inside the edge of the shower tray and parallel to the front edge of the tray.
8. Mark where you need to drill then Remove the **U-Channel (9)** from tray, and drill the anchor holes using a **3mm** drill bit (or **clearance hole** if tiles).

* See notes on bottom of page 9

Add a bead of silicone to the back of (9) then position and fix to tray using **ST4.2 x 40 Countersunk screws (17)**.

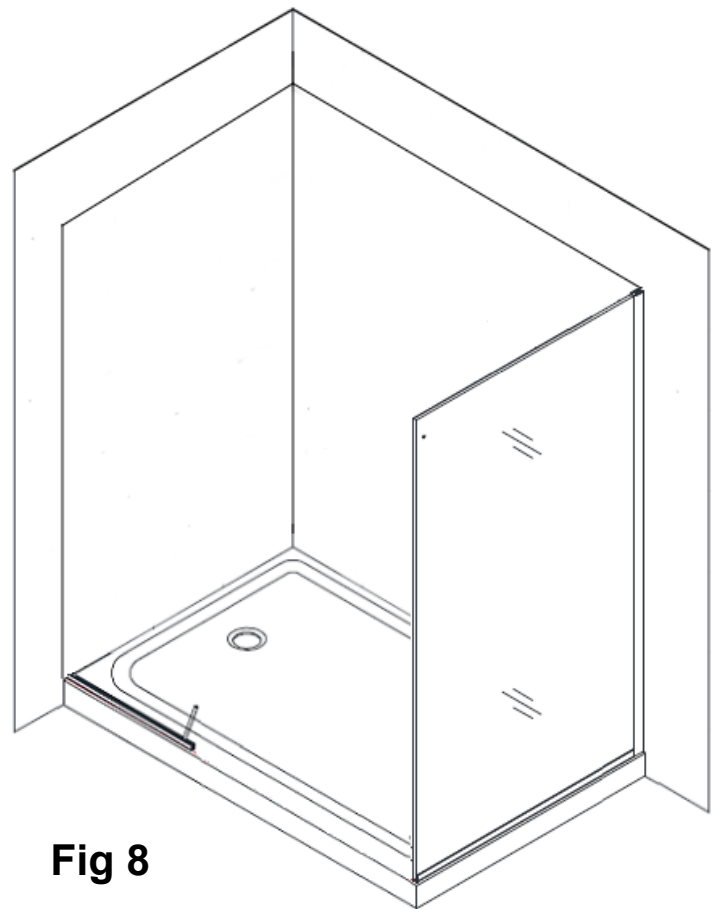


Fig 8

Installing Threshold - V2

- 7A. Measure the distance between two finished walls (**W**) or wall to return panel for your shower door. Then cut threshold (10) to the (**W**) length.

Align the edge of the threshold (10) so that the threshold edge is In-line with the front of the earlier installed return panel or 6mm inside the edge of the shower tray and parallel to the front edge of the tray.

- 8A. Mark where you need to drill then remove **Threshold (10)** and drill the holes using a **3mm** drill bit (or **clearance hole** if tiles).

* See notes on bottom of page 9

Then add a bead of silicone to the back of (10) then position and fix to tray using **ST4.2 x 40 Countersunk screws (17)**.

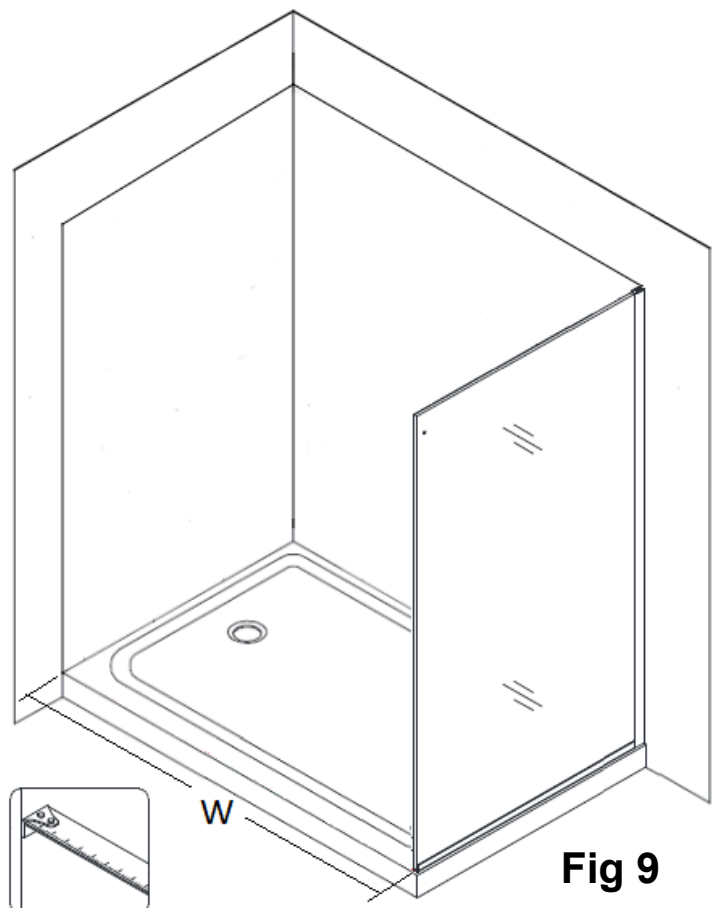


Fig 9

9. Align **U-channel (1)** groove with the threshold **(10)** or lower U-channel **(9)** use a level to plumb the **U-channel (1)** and mark the hole positions on the wall with pencil.

Note: On the **shower door** we have found some of the #1 rails are 5mm longer than needed, If you want to have it level with the top of the glass you may need to trim.

10. Remove the Vertical **U-Channel (1)** from the wall then drill holes using a 3mm drill bit. Add a bead of silicone to the back of **(10)** then position and fix to wall using **ST4.2 x 40 Countersunk screws (17)**.

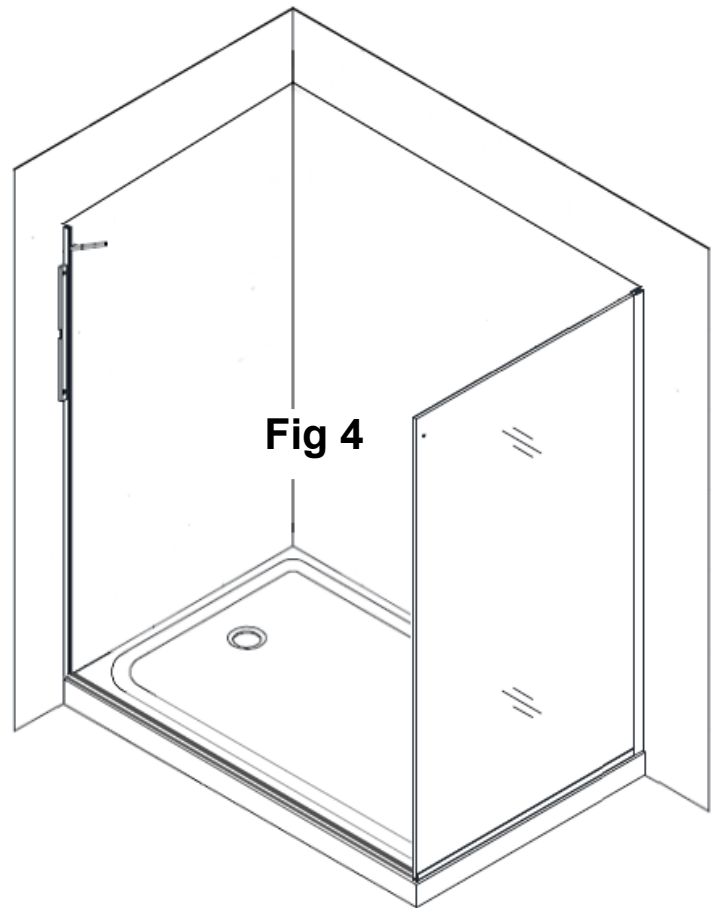


Fig 10

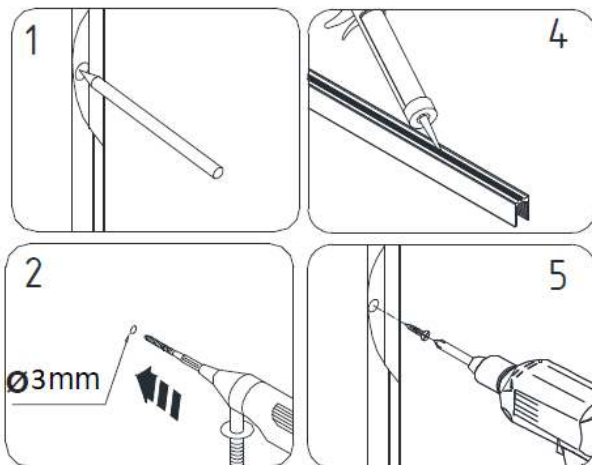


Fig 11

Once these extrusions are installed we recommend you leave them for 24 hours to cure before you continue if you've only used silicone.

Installing Door - continued

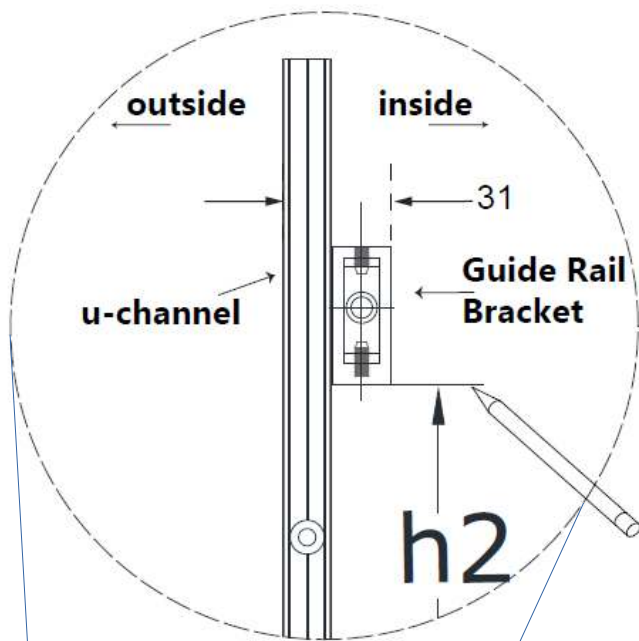


Fig 12

- 11. To position the Guide Rail Brackets (6):**
 From inside of the shower, measure up from the tray to the bottom of the **Guide Rail Bracket (6)** using **Table 1** below. While holding the bracket against the edge of the installed **U-channel (1)**, mark the wall at the bottom of the bracket.

GUIDE RAIL BRACKET HEIGHT

MODEL HEIGHT	h2 =
2000 shower	1893
1545 tub	1439

Table 1

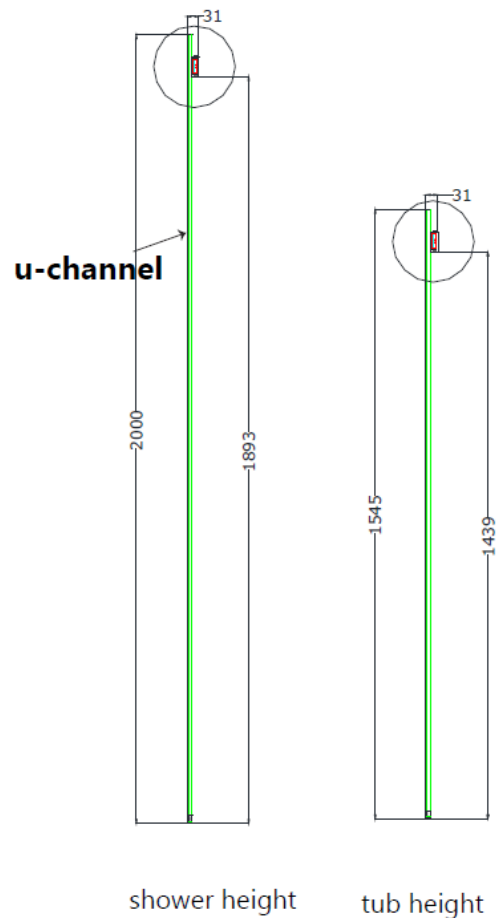
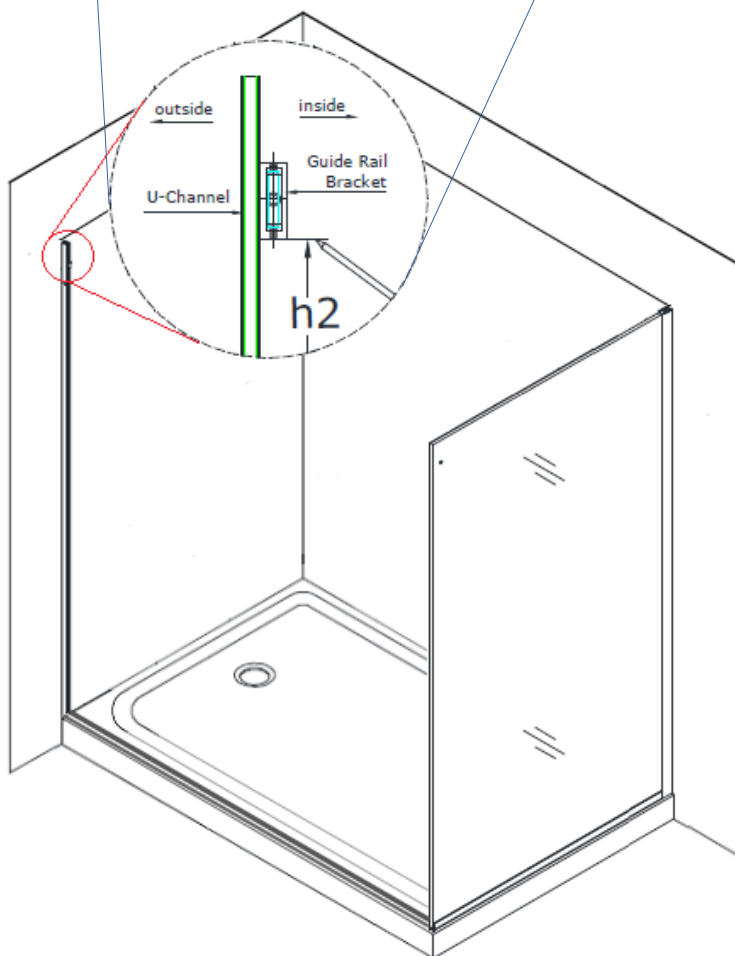


Fig 13

Note: We've found that for some people fitting the Stationary Glass #2 in place temporarily and using a level from the holes in the glass to mark the guide bracket hole is easier than using the measurements in Fig 13.

12. Hold the **Guide Rail Bracket (6)** in the marked position and mark the hole for Drilling through the **Guide Rail Bracket (6)** using a pencil (or center punch).

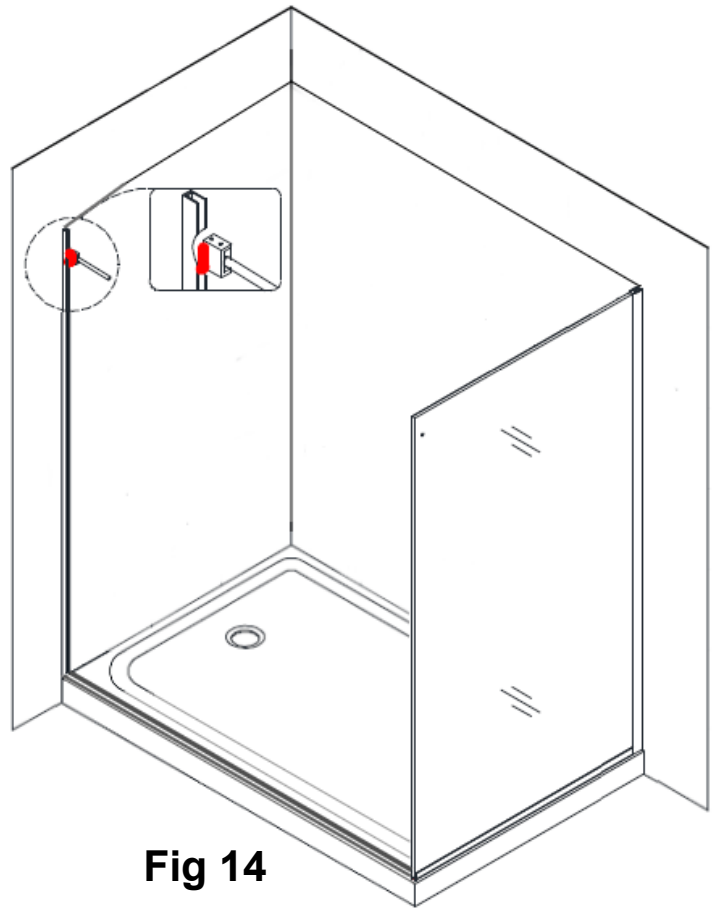


Fig 14

13. Drill a $\text{Ø}3\text{mm}$ anchor hole. Separate the **Guide Rail Bracket (6)** components (6a and 6b). Install the **Guide Rail Wall Bracket (6b)** to the wall using one **ST4.2 x 40mm Countersunk screw (17)**.

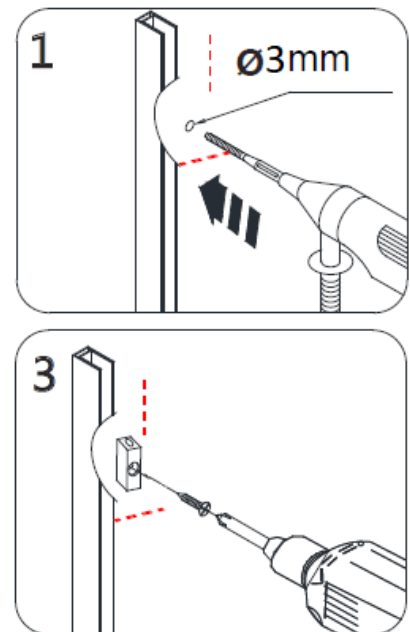
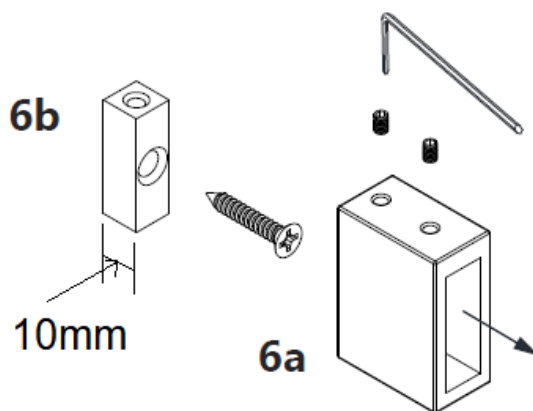


Fig 15

***NOTE:** Installation of the Guide Rail brackets into a stud or extra framing is strongly recommended.

12. Measure the finished opening width at the Height where the **Guide Rail (4)** will be fitted.
- wall to wall for an alcove installation or wall to Glass when the install has a return panel.

Note:

You will need to reduce your measurement by the width of the mounting blocks **(6b)** that are part of **(6)** the Guide Rail Bracket (each is 10mm wide)

Example only:

If your measurement is 1889mm you should cut at 1869mm to allow for these blocks.

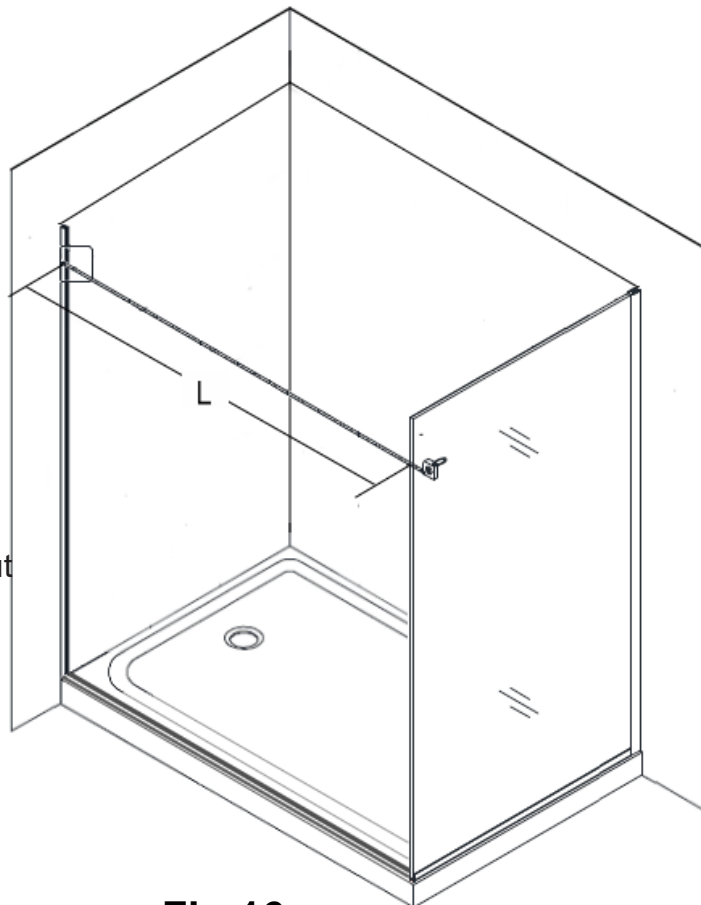


Fig 16

Note: Cut ONLY from the door end - the opposite end to the holes

Use a metal file to remove any burrs from the cut end of the **Guide Rail (4)**.

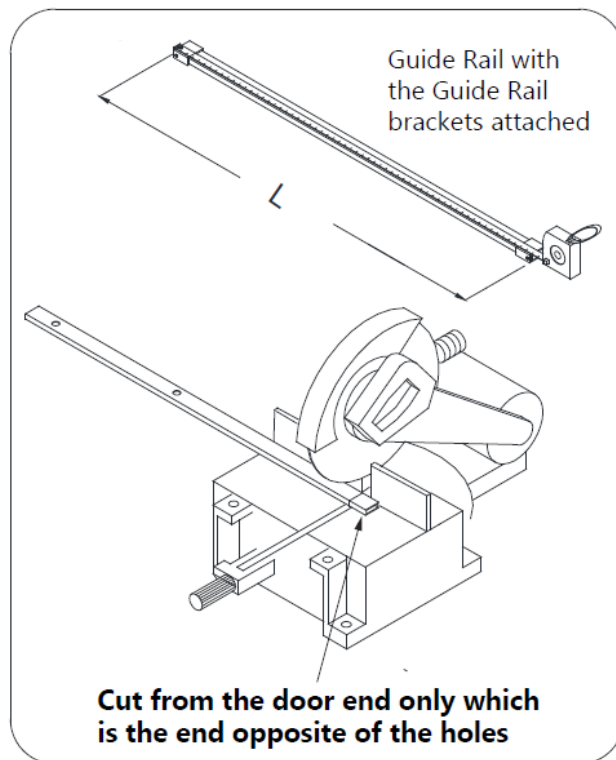


Fig 17

Installing Guide - V1 Bath

- 13.** This is to position the guide. The glass will come out before final installation.
Insert the **Stationary Glass (2)** into the installed **U-Channel (1)** and **threshold**.
Use Caution not to bang the glass into the u-channel or threshold.

See Fig 18 for details

- 14.** Make sure that your **Stationary glass (2)** is parallel to the front edge of the threshold and mark it.
Slide the **Guide Block (12)** and align flush with the edge of the glass. Mark its position on the threshold and also mark the hole for drilling using a pencil (or center punch).

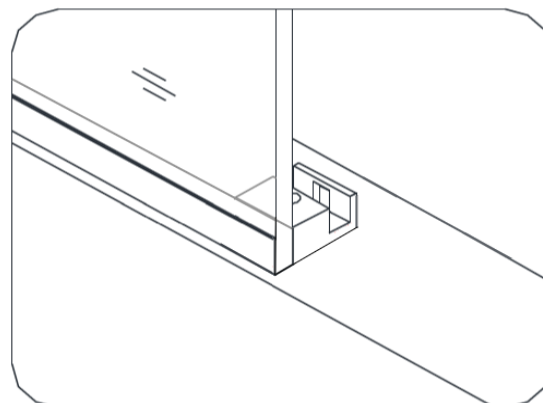
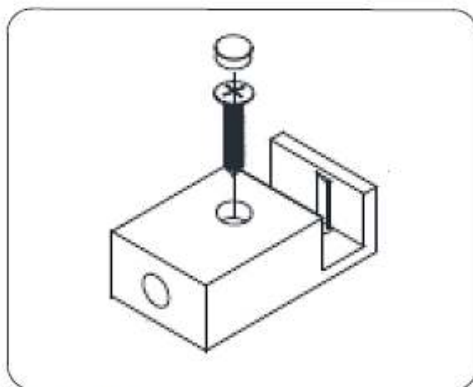
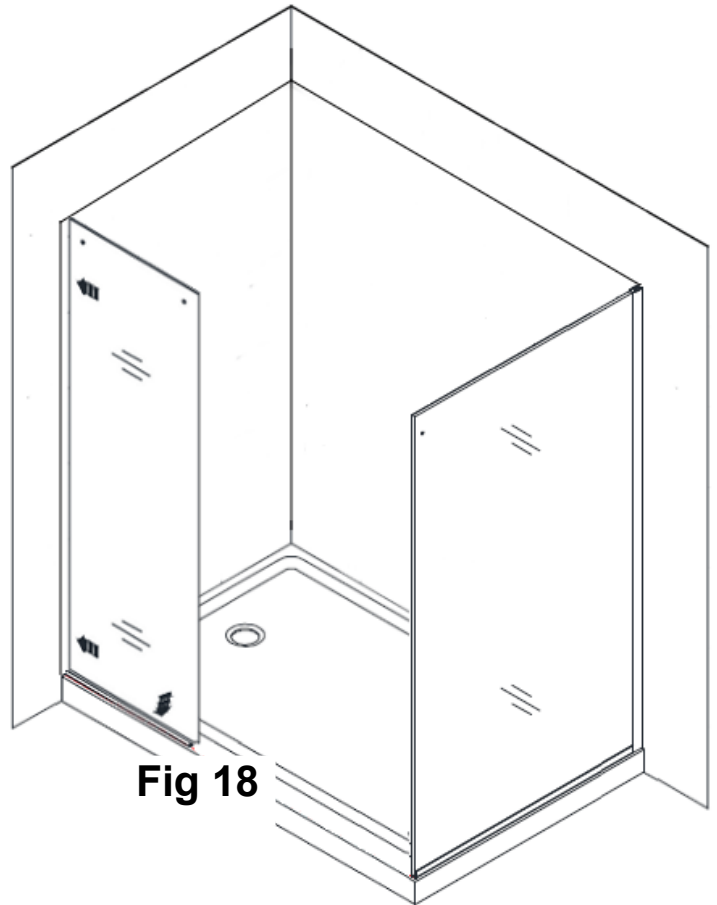
- 15.** Remove the **Stationary Glass (#02)** from the **U-Channel (#01)** and carefully set it aside while you drill and fix **Guide Block (12)**.

- 16.** To install the **Guide Block (12)**: Apply silicone to the underside of the **Guide Block (12)** and screw the **Guide Block (12)** to the threshold as Described below:

***NOTE:**

For installation into an acrylic threshold drill an $\text{Ø}1/8''(3\text{mm})$ hole and use the **ST4.2 x 25mm Round Head screw (18)**

Note: For bath installations: the **Guide Block (12)** must be screwed down to the bath deck.



* See notes on bottom of page 9

Note:

Place the door glass against the back wall of the shower. Protect shower with cloth at bottom and top

17. Apply silicone into the **U-Channel (1)** and the bottom **U-Channel (9)** or **Threshold** then Slide the **Stationary Glass (2)** firmly into the installed **U-Channel (1)** and the **bottom U-Channel (9)**

Use Caution not to bang the glass into the u-channel or threshold.

See Fig 21 for details

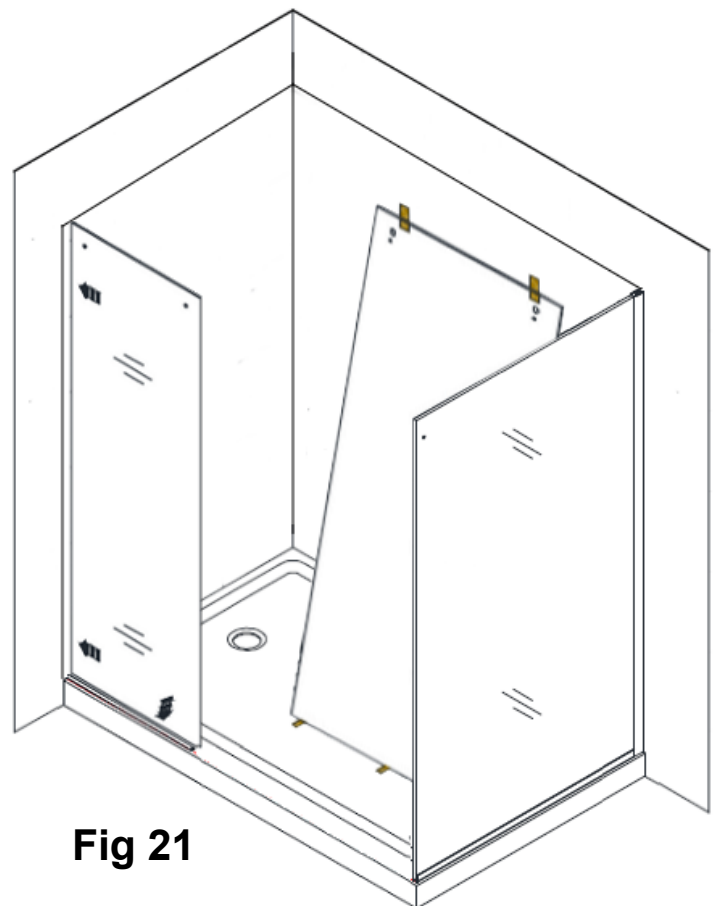


Fig 21

Installing Guide - V2 Shower

- 13A. Apply silicone into the groove of **U Channel(1)** and **Threshold (10)**. Put the **1mm Bottom Gasket (18)** into **Threshold (10)** groove close to the **U-channel (1)** side, then add a bead of silicone and insert **Stationary glass(2)** into the **Threshold (10)** groove and slide it into the **U-channel (1)** groove.

See Fig. 22 for details.

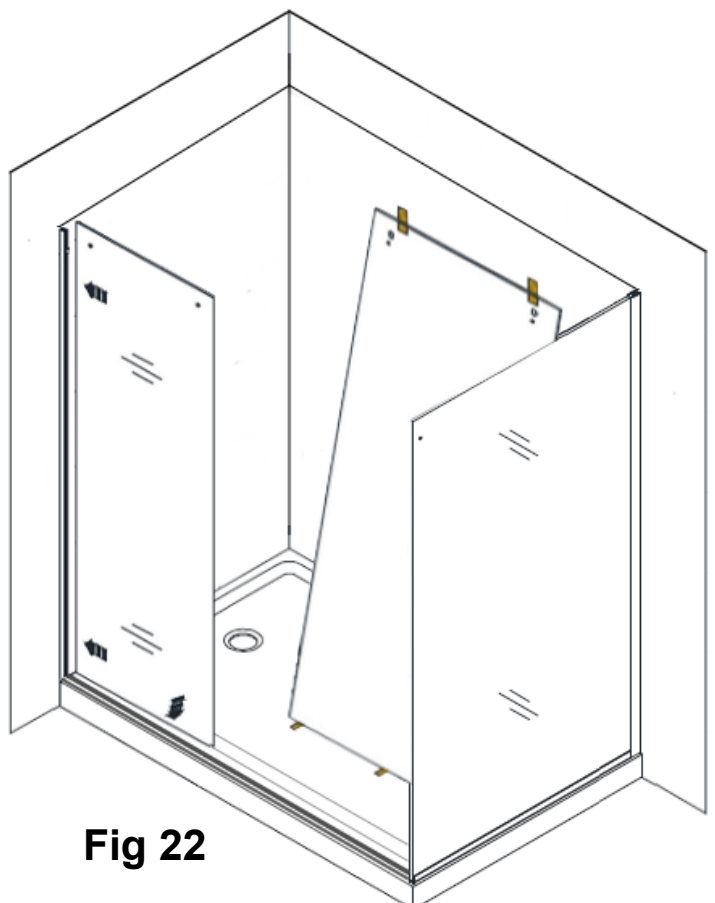


Fig 22

Installing Door - rails

18. Attach the **Stoppers (5)** and **Guide Rail Brackets (6)** to both ends of the **Guide Rail (4)**.

(Notice that the top of the guide rail bracket has two set screws)

Place Stoppers (5) with the rubber buffer to the top as shown.

NOTE: Be careful not to scratch the guide rail with the brackets and stoppers. Loosen the set screws before installation.

19. Align the panel side **Guide Rail (4)** with the installed **Guide Rail Wall Bracket (6a)**. Then slide the **Guide Rail Bracket (6b)** over the **Guide Rail Wall Bracket (6a)** and tighten the set screws.

See Fig 23 for details

20. Attach the **Stationary Glass (2)** to the **Guide Rail (4)** using the **Glass Brackets (7)**.

See Fig 24 for details

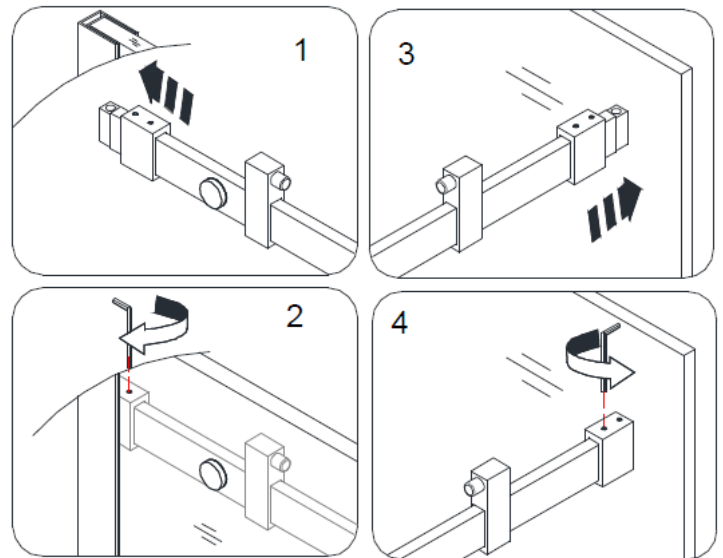
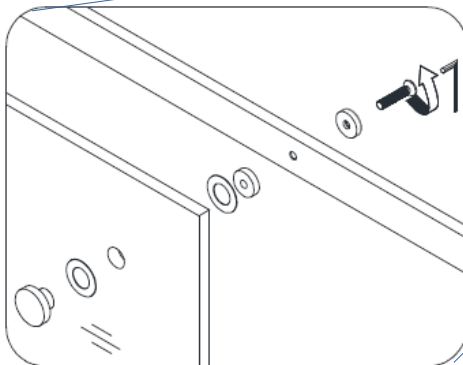


Fig 23

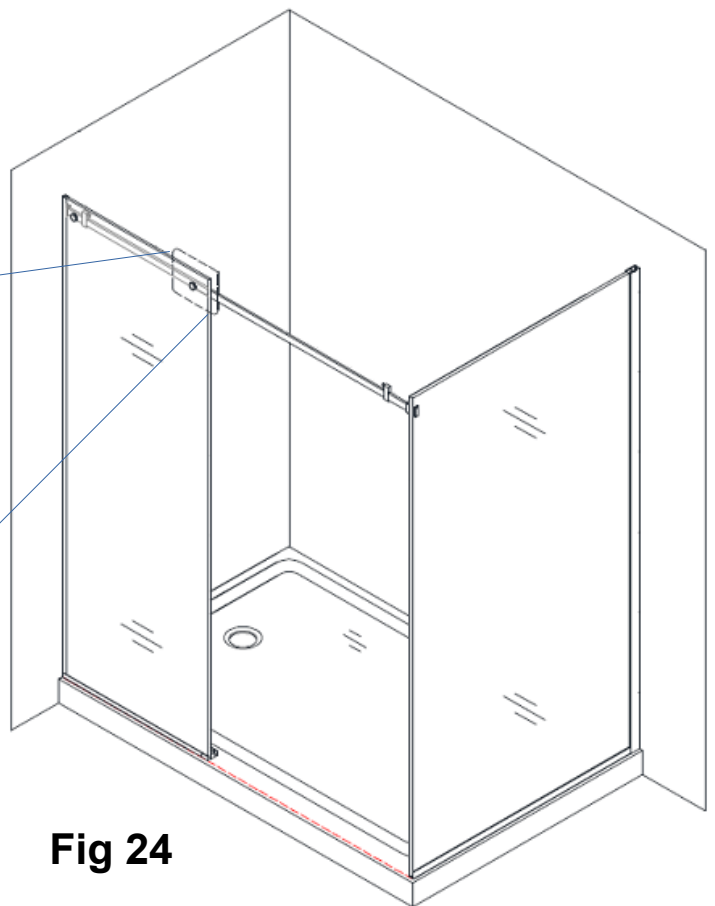


Fig 24

21. Level the **Guide Rail (4)** across the opening. If necessary, use the set screws on the **Guide Rail Bracket (6)** to adjust the level of the **Guide Rail (4)**.

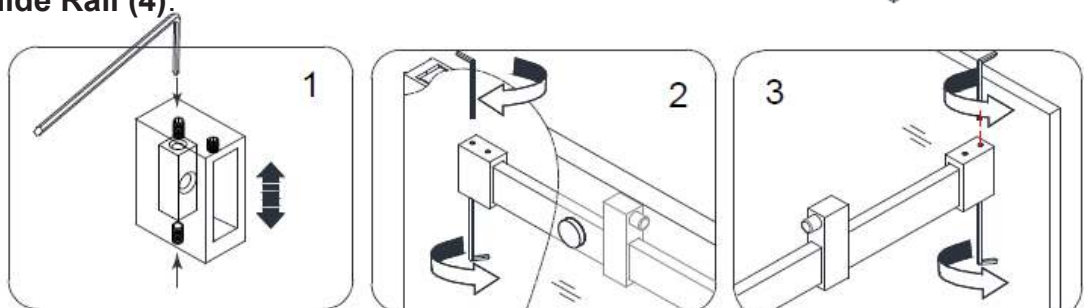


Fig 25

Installing door splash guard - V1

22. Measure the distance from the edge of the **Guide Block (12)** to the wall. This distance will be "L". Cut the **Anti-splash Guard (11)** to the size of: "L".

See Fig 26 for details

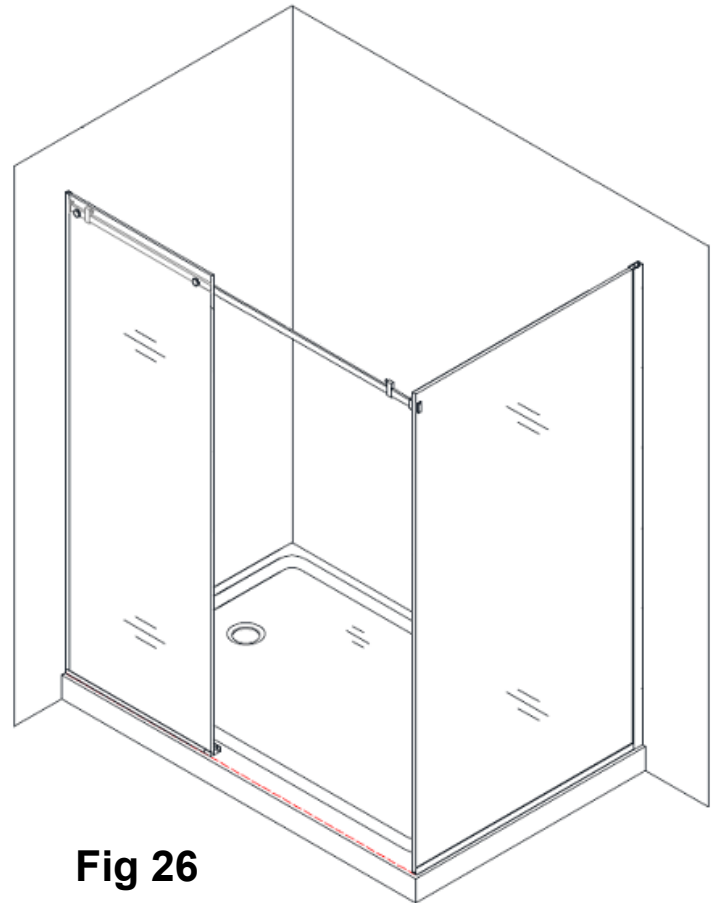
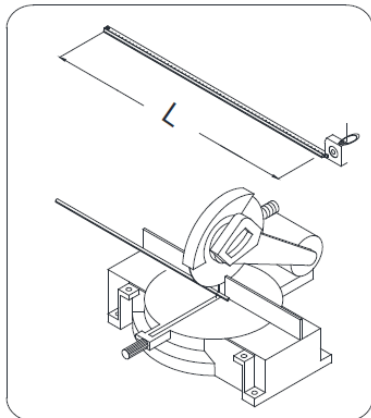
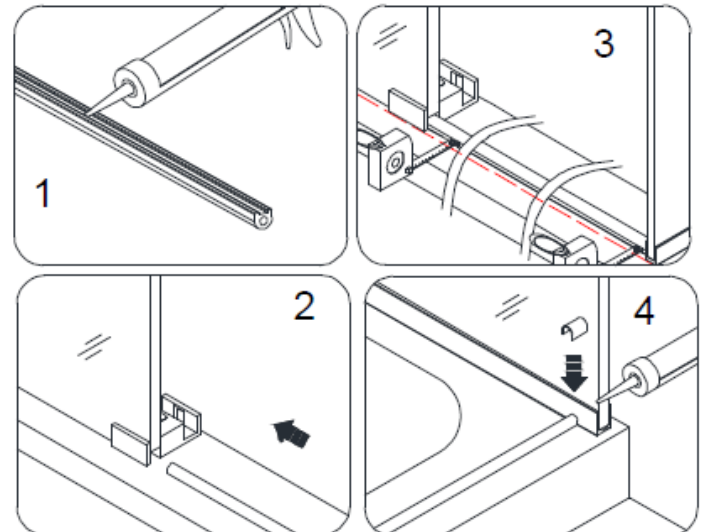


Fig 26

23. Apply silicone to the bottom of the **Anti-Splash Guard (11.)** Remove the **face plate** from the **Guide block (12)**, Insert one end of the **Anti-Splash Guard (11.)** fully into the **Guide block (12)** and replace the **guide block face plate**. Align the **Anti-Splash Guard (11.)** parallel with the front edge of the shower base or threshold. Cover the other end of the **Anti-Splash Guard (11)** with the **Anti-Splash Guard Cap(10)**. Apply a small amount of silicone onto the threshold and the wall to prevent leakage.



Right hand door installation shown as example

Fig 27

24. Secure the **Anti-Splash Guard (11)** to the threshold with several pieces of painter's tape to hold it in position tight to the threshold until the silicone fully cures.

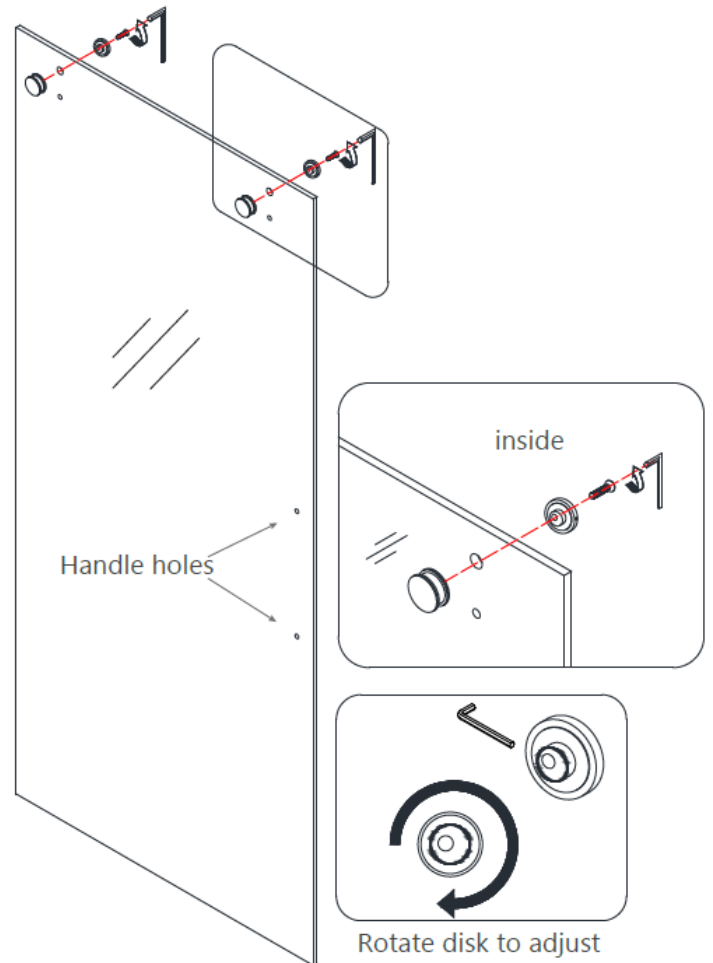
Installing Door – to rails

25. Attach the **Rollers (8)** to the **Door Glass (3)** with the wheels facing out.

NOTE: The roller hardware disk can be rotated to tilt the door glass slightly to create a tight seal with the wall. Make any adjustments after all of the vinyl seals are installed.

See Fig 28 for details

NOTE: DO NOT install the handle onto the door glass until instructed to do so. DO NOT attempt to lift the glass using the handle. This could result in damage to the glass and/or serious personal injury. Always use an assistant and or a professional grade glass suction cup when handling heavy glass.



Right hand door installation shown as example

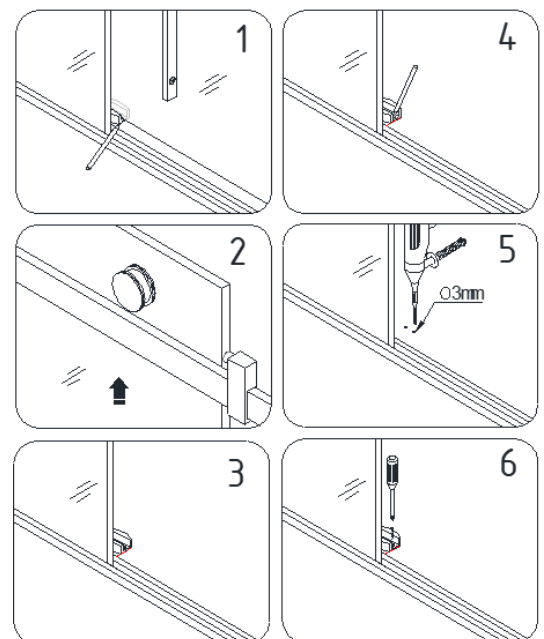
Fig 28

Installing door – V2 guide block

- 26A. Insert **Door Glass (3)** into the channel of **Guide block (12)**, align behind the **Stationary glass (2)**, make sure the **Door Glass (3)** is plumb on the **Guide Rail (4)** then mark the position of the **Guide block (12)** with pencil, remove the **Door Glass (3)** from **Guide Rail (4)** and put the **Guide block (12)** on the marked position to and mark the hole for drilling. Then use 3mm drill bit to drill hole on shower base, fix the **Guide block (12)** by using **Countersunk screw ST4.2×35 (17)**.

See fig 29 for details.

Fig 29



Installing door - V2 Threshold cover

23A. Measure the distance between the **Stationary Panel (2)** and the wall on its opposite side, use Mitre Saw or Hacksaw to cut the **Threshold Cover (11)** to that length.

Insert the **Threshold Cover (11)** into the **Threshold (10)** channel. Onto 2 thin beads of silicone.

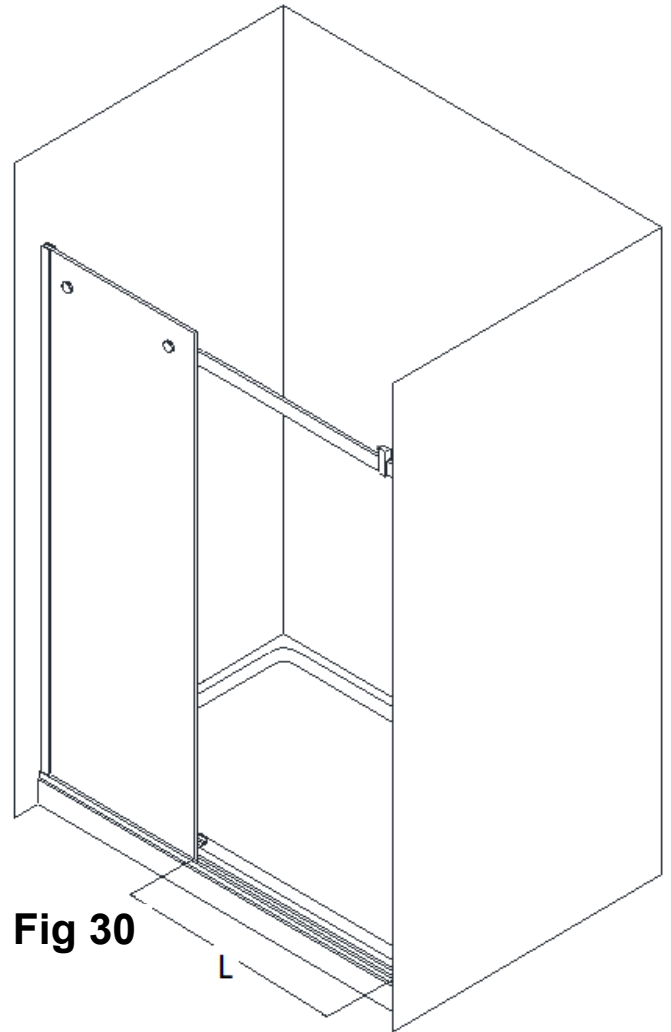
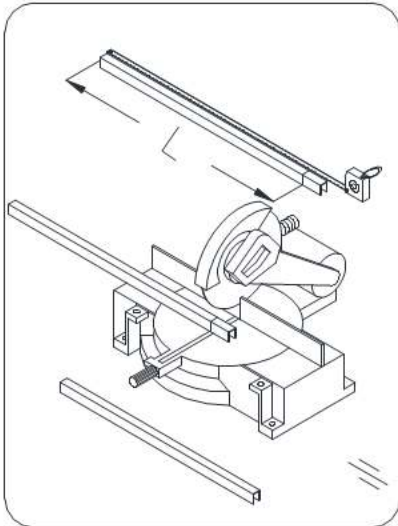


Fig 30

27. Align the **Door Glass (3)** with the **Guide Block (12)** and hang the door from the **Guide Rail (4)**. Adjust **Door Stopper (5)** to stop class hitting wall or **return panel (20)** prematurely.

28. Install the lower **Rollers (8)** onto the **Door Glass (3)** beneath the **Guide Rail (4)**. Use a small allen wrench to hold the **Rollers (8)** so that there is approximately 1mm of clearance between the lower **Rollers (8)** and the **Guide Rail (4)**.

29. Attach the **Handle (15)** to the **Door Glass (3)**. Attach the **Anti-water strips (13)** to the edge of the **Stationary panel glass (2)** and **Door glass (3)**. Attach the **Bumper seal strip (14)** to the handle side of the door glass.

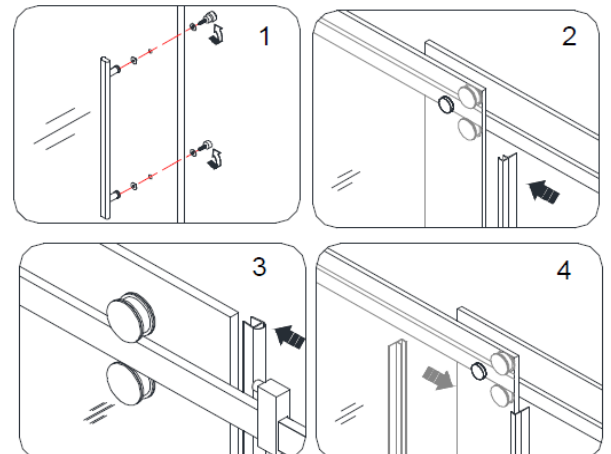
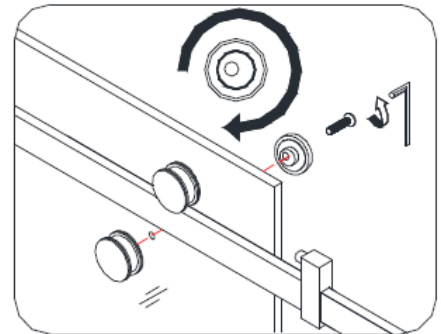


Fig 31

29. After final adjustment is complete, drill holes on each end through the predrilled holes in the **Wall profile (21)** into the first layer of the aluminum profile on the **Stationary glass (20)** using **Ø3mm** drill bit. Use **2 Round head screws ST4.2×10 (25)** with the raised washers to secure the aluminum profile on the **Stationary glass** inside the **Wall profile**. Cover the exposed screw heads with **Decorative caps (26)**.

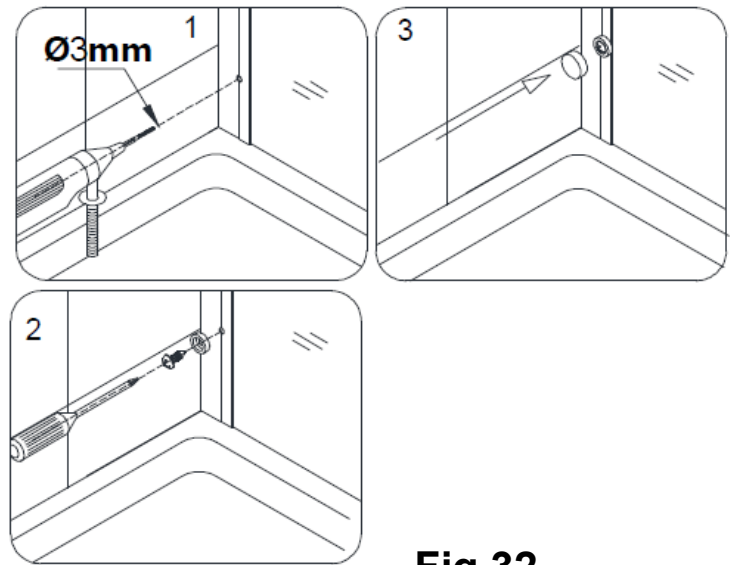


Fig 32

See Fig 32 for details

Sealing the Shower

30. Apply good quality mildew-resistant silicone along the connection of the stationary glass with the walls and the threshold.

Allow 24 hours for the silicone to fully cure before using the shower.

See Fig 33 for details

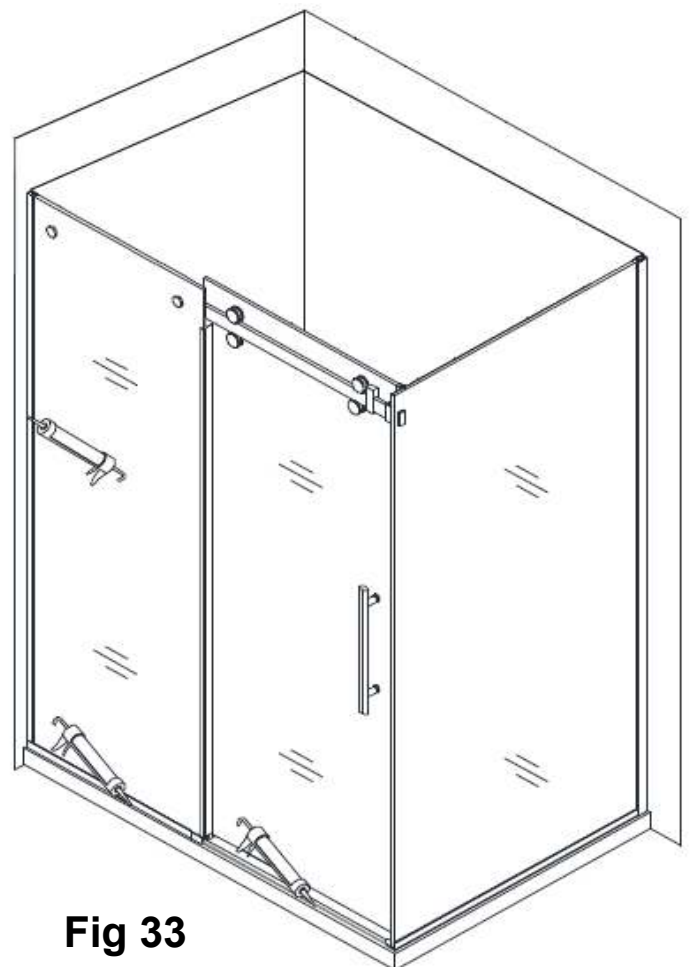
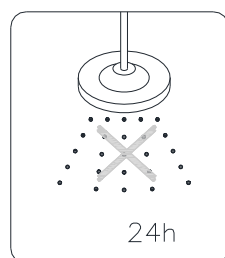
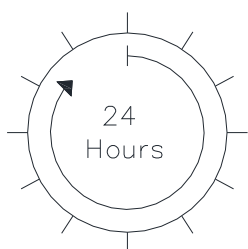


Fig 33



Product Maintenance

Dreamline Shower door

Rinse and use only a soft cloth or squeegee on the glass surfaces.

Clean to a sparkling finish with any glass cleaner



Never use petroleum. Ammonia, bleach, acid or lemon based cleaners on any part of the shower.

Never use abrasive cleansers, metal brushes or scrapers, that could scratch or dull the surface of the acrylic liner, glass or any stainless parts.

5 Smales Road, East Tamaki,
Auckland
Ph: 09 913 3110 Fax: 09 913 3113

Auckland // Wellington
www.henrybrooks.co.nz