



Initial testing of the Henry Brooks Shower trays was undertaken by Henry Brooks for Housing NZ houses in 2013. As a result of these tests the Henry Brooks Shower trays became the only tested Showers trays used by Housing NZ at that time.

4 Lip Shower Tray TEST REPORT

MTL Report No.	J58153.1	Order No.	CASH SALE	Date Tested	12/11/2020
Client Name	Henry Brooks & Co Ltd.			Attention	Brent Coutts
Test Method	A shower tray was placed directly on a concrete floor and repeatedly loaded with 200 kgs approximately in the same position for 5000 cycles of loading and unloading. A rubber padding was placed directly under the loading feet at a specified position to replicate foot loading.				
Test Equipment	Riken 70 MPa pump Serial No. 22968 with AEP transducer and DFP pressure gauge w/ 5 tonne ram				

SAMPLE DESCRIPTION

Dimensions (mm)	900 x 900	Colour	White
Sample ID	1 (Support rings on underside)	Test temperature (°C)	20

Test results

Main findings: After a total of 5000 load cycles, no defects were observed on both top and bottom surfaces of the shower tray tested.



Figure 1: Shower tray as supplied (top and bottom of tray shown)



This report applies only to the sample/s as tested.

Testing Technician	Dan Lee / Luis Siasoco	Date of Issue	16/11/2020
Checked By	Michael Wu	Approved by	Luis Siasoco
Signature		Signature	

Same Tray with a further 10000 cycles at 300KG weight

TEST REPORT

MTL Report No.	J58290.1	Order No.	CASH SALE	Date Tested	14/12/2020
Client Name	Henry Brooks & Co Ltd.			Attention	Brent Coutts
Test Method	A shower tray was placed directly on a steel beam and repeatedly loaded with 300 kgs approximately in the same position for 10,000 cycles of loading and unloading. A rubber padding was placed directly under the loading feet at a specified position to replicate foot loading.				
Test Equipment	Electric motor, cyclic loading frame, 300kg weights each verified using a Mass Balance (S/N: MTL-MECH-SC01)				

SAMPLE DESCRIPTION

Dimensions (mm)	900 x 900	Colour	White
Sample ID	1 (Support rings on underside)	Test temperature (°C)	20

Test results

Main findings: After a total of 10,000 load cycles, no defects were observed on both top and bottom surfaces of the shower tray tested.



Figure 1: Shower tray as supplied (top and bottom of tray shown)

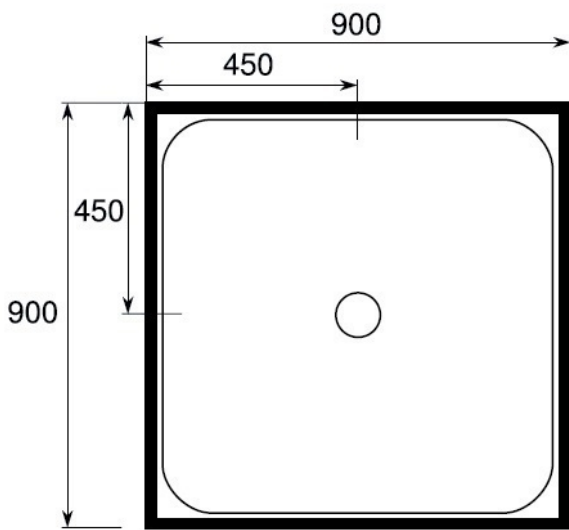


Figure 2: Testing conducted on cyclic loading frame

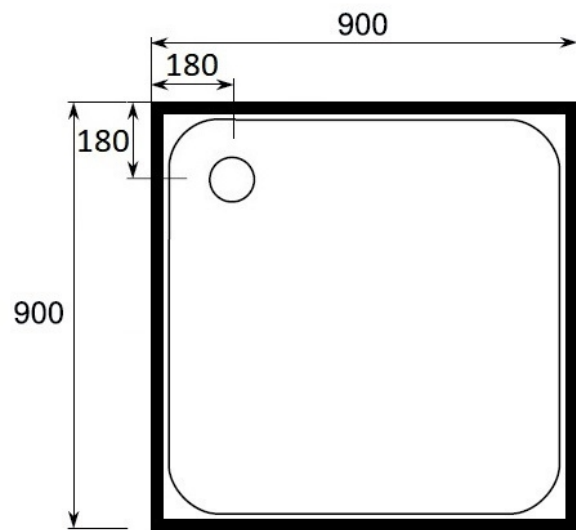
This report applies only to the sample/s as tested.

Testing Technician	Dan Lee / Luis Siasoco	Date of Issue	14/12/2020
Checked By	Dan Lee	Approved by	Luis Siasoco
Signature		Signature	

4 Lip 900 x 900 Shower Tray from Henry Brooks



Center waste



Corner Waste

Uprand Detail

