

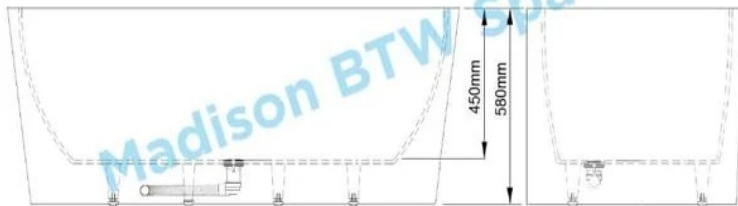
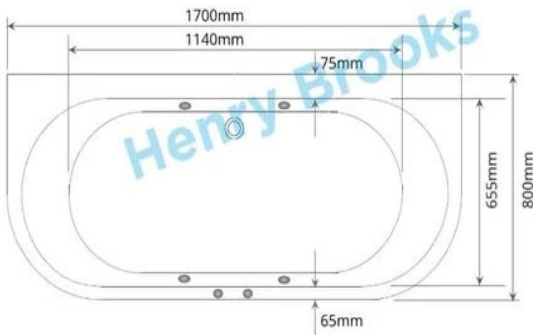


Freestanding Spa Bath Guide

For all Henry Brooks Freestanding Spa Bath installations. Specifically the **Madison** and **BTW Rosemary** Spa baths, but also covers the corner Spa Baths the **Michelle**.

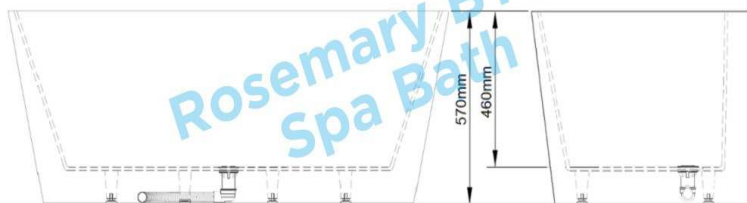
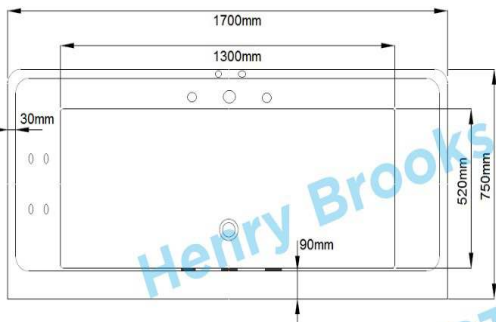
The popup waste supplied with the bath is loosely fitted. If you intend to use the supplied waste, we recommend your plumber removes and completely seals and installs it.

www.henrybrooks.co.nz
0508 736 6828



Not to scale

Madison Spa Bath



Not to scale

Rosemary Spa Bath



Corner Spa Baths

Michelle Spa bath



All these Spa Baths come complete with Frame, adjustable feet.

Motor is 750watt
can be installed with 10amp cabling

Electrically, these need to be installed to the NZ electrical regulations. We recommend the installation of an Isolating switch and for the for all the Spa Baths.

NOTE: There is an air tube running from the button to the motor. Please confirm this is connected before final installation. (with power off can you hear the air switch turning on and off)

Recommended Waste installation for Rosemary, Madison and Michelle Spa baths:



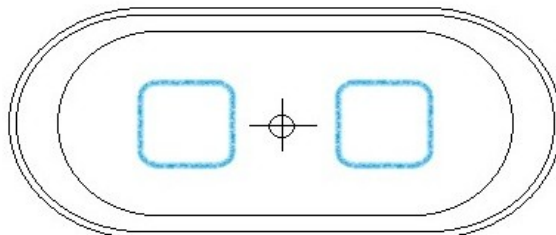
This waste replaces the std bath waste and gives you a waste and trap that is all in one and is the easiest way to fit a trap to your freestanding bath enabling the installation to meet plumbing regulations..

The Installation is very simple, replace the std bath waste with this unit, and seal in your usual manner.

Attach the flexible pipe (included with bath) to the trap and fit to your waste pipe coming through the floor with an elbow.

These spa baths waste can be bought from our [website here](#)

The recommended position of the floor waste is to either side of the bath waste, this enables you to place the floor waste where it suits best allowing for floor joists etc. Install the floor waste in either of the 2 blue marked areas below. All of our baths come with a good quality flexible waste, in some cases you may need to source a flexible pipe from a plumbing merchant for your specific installation.



Installation Instructions:

Once the flooring is finished you are then able to fit the Bath.

Place Bath on floor in the desired position and adjust the leveling feet so the bath is level.

Now screw the flexible pipe to the bath and fit the other end into an elbow to connect to the waste pipe coming through your floor.

Then finish off around the bath as you require.

Congratulations all is now finished.

Steps to test the Spa Bath:

Check that each of the jets, like the one on the right, has the center section turned to the left (anti clockwise) to make sure water can flow. Fill the bath to a minimum of 100mm above the jets, make sure the isolating switch is on then turn on the Sap Bath.

Please note: As with all Spa Baths it is recommended that you do not use the Spa without the water level being a minimum of 100mm above the jets.

Cleaning your Bath:

Please clean your **Freestanding Spa Bath** with a soft cloth and warm water. A spray on window cleaner and soft cloth can be used to remove light marks. Heavier marks can be removed with liquid jiff and a soft cloth, followed by a spray on window cleaner and soft cloth.

Under no circumstances should any form of abrasive cleaners be used.

TO THE OWNER:

Please retain these instructions for future reference

If you have any questions regarding installation or maintenance of any of our products, please contact

Henry Brooks

Ph: 0508 736 6828

sales@henrybrooks.co.nz

henrybrooks.co.nz

